

MODEL : MO-6800S

List No : 1672-02



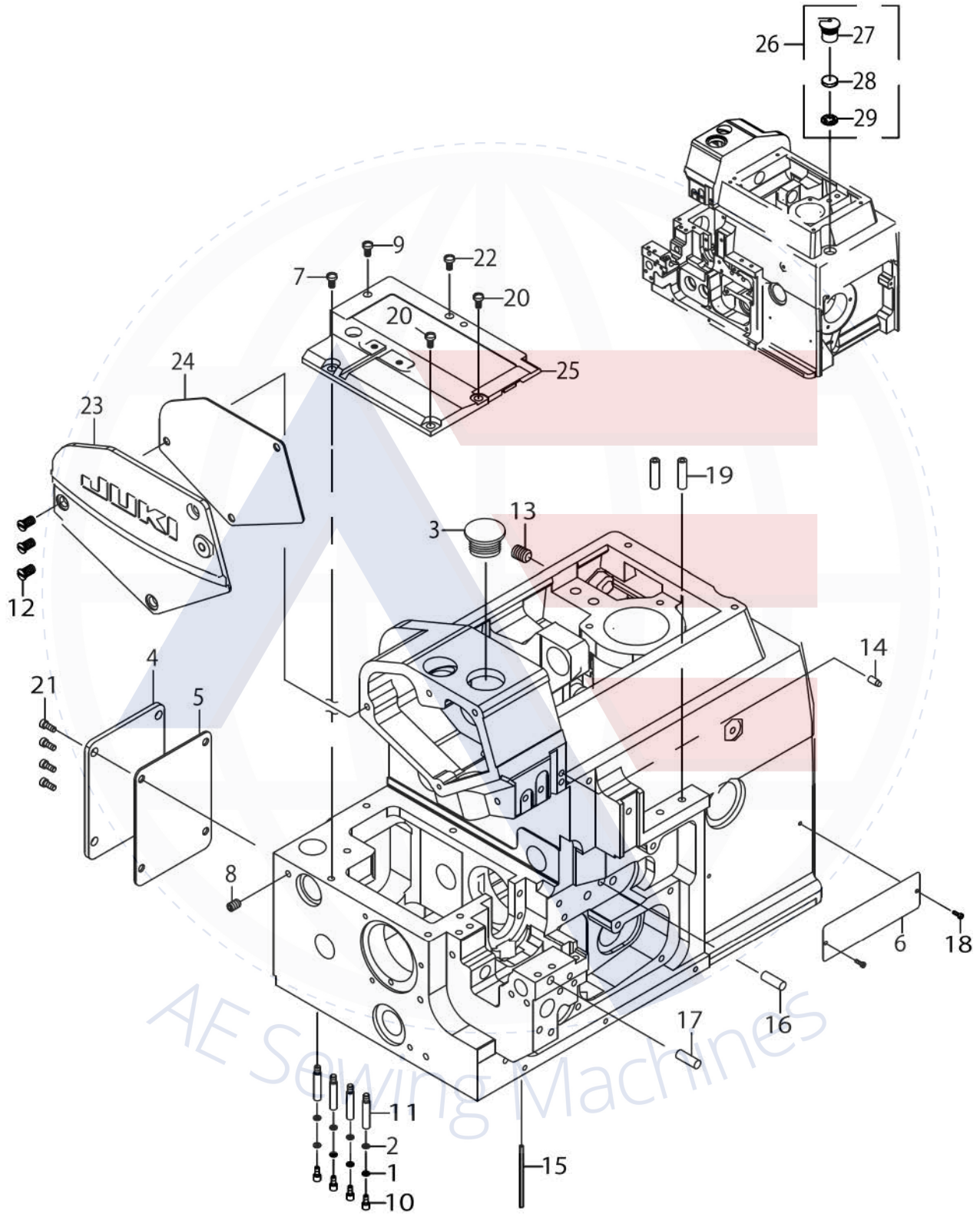
© 2011 AE Sewing Machines

CONTENTS

MISCELLANEOUS COVER COMPONENTS (1).....	1
MISCELLANEOUS COVER COMPONENTS (2).....	3
MISCELLANEOUS COVER COMPONENTS (3).....	5
CRANKSHAFT COMPONENTS.....	7
NEEDLE DRIVING SHAFT COMPONENTS.....	11
THREAD TENSION COMPONENTS.....	13
UPPER LOOPER COMPONENTS.....	17
LOWER LOOPER COMPONENTS.....	21
CHAIN LOOPER COMPONENTS (1).....	23
CHAIN LOOPER COMPONENTS (2).....	25
FEED MECHANISM COMPONENTS (1).....	27
FEED MECHANISM COMPONENTS (2).....	29
KNIFE COMPONENTS.....	31
PRESSER FOOT COMPONENTS.....	33
LUBRICATION MECHANISM COMPONENTS.....	37
NEEDLE COOLER UNIT COMPONENTS.....	41
THREAD STAND COMPONENTS (FOR MO-6804S).....	43
THREAD STAND COMPONENTS (FOR MO-6814S).....	45
THREAD STAND COMPONENTS (FOR MO-6816S).....	47
THREAD STAND COMPONENTS (FOR MO-6843S).....	49
SEMI-SUNKEN TYPE TABLE COMPONENTS.....	51
FULLY-SUNKEN TYPE TABLE COMPONENTS.....	53
ACCESSORIES PARTS COMPONENTS.....	55
PACKING COMPONENTS.....	57
TAPE INSERTION COMPONENTS.....	59
30P COMPONENTS.....	61
MO-6800S GAUGE TABLE.....	63

AE Sewing Machines

MISCELLANEOUS COVER COMPONENTS (1)

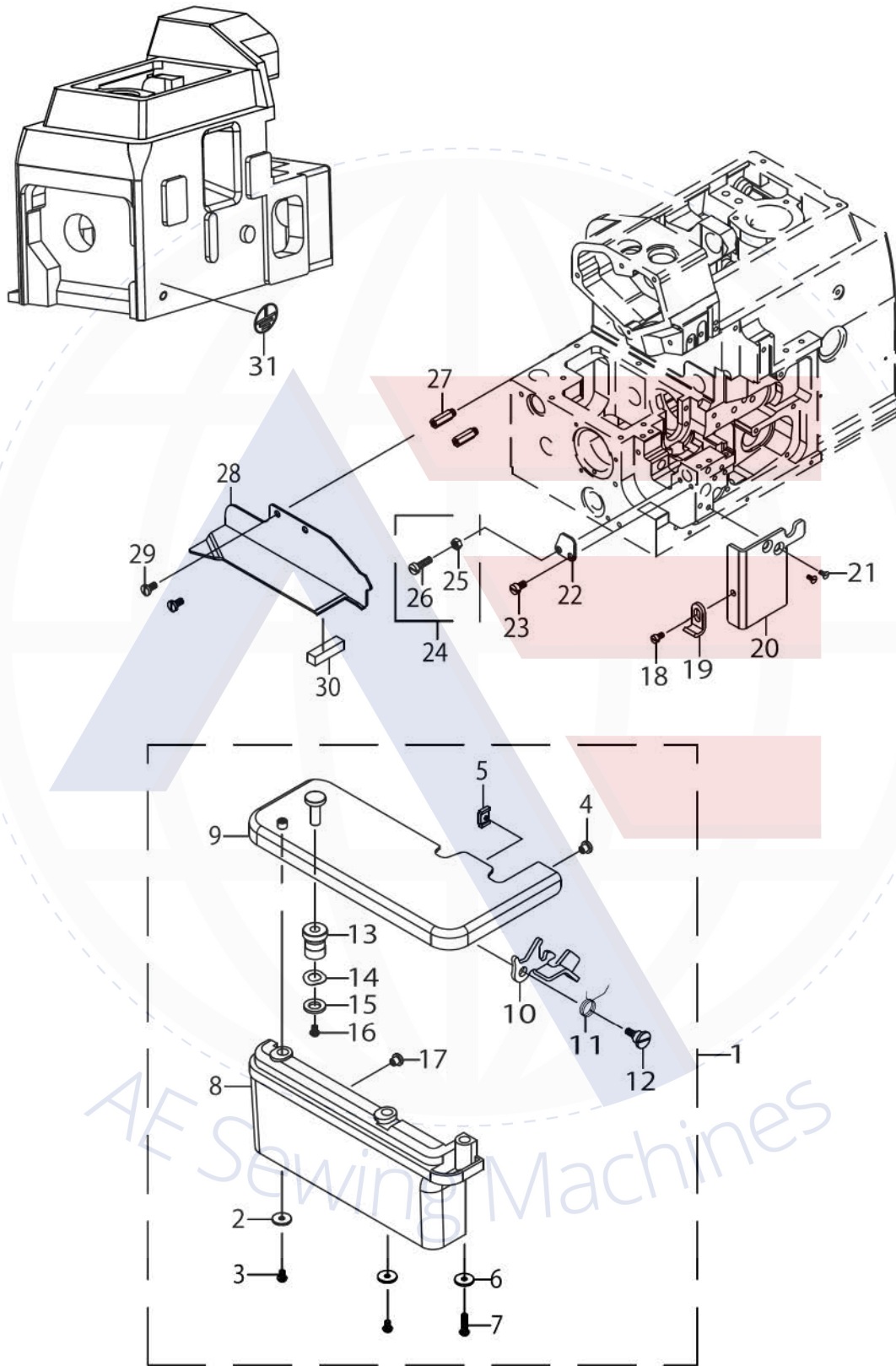


MISCELLANEOUS COVER COMPONENTS (1)

No.	C- ons	Le- vel	Parts No.	Replacement	Supply Code	Parts name	Qty	R- ep. Q- TY	Status	Spec	Remarks
1			70000363			WASHER	4				
2			70000365			WASHER	4				
3			40159534			RUBBER PLUG	1				
4			40172525			COVER	1				
5			70000443			METAL FOAM GASKET	1				
6			*****			NAME PLATE	1				
7			70000515			E_SCREW	1				
8			70000522			E_SCREW	1				
9			70000529			E_SCREW	1				
10			70000543			E_SCREW	4				
11			70000544			E_SCREW	4				
12			70000550			E_SCREW	3				
13			70000586			M_SCREW	1				
14			70000659			PIN	1				
15			70000670			PIN	1				
16			70000671			PIN	1				
17			70000672			PIN	1				
18			70000753			RIVET	2				
19			70000754			DUCT	2				
20			70000515			E_SCREW	2				
21			70000515			E_SCREW	4				
22			70000529			E_SCREW	1				
23			40159531			SIDE COVER	1				
24			40159532			METAL FOAM GASKET	1				
25			40159533			COVER	1				
26			40159537			RUBBER PLUG COMB.	1				
27		*	40159538			RUBBER PLUG	1				
28		*	40159539			FELT	1				
29		*	40159540			RUBBER PLUG COVER	1				

AE Sewing Machines

MISCELLANEOUS COVER COMPONENTS (2)

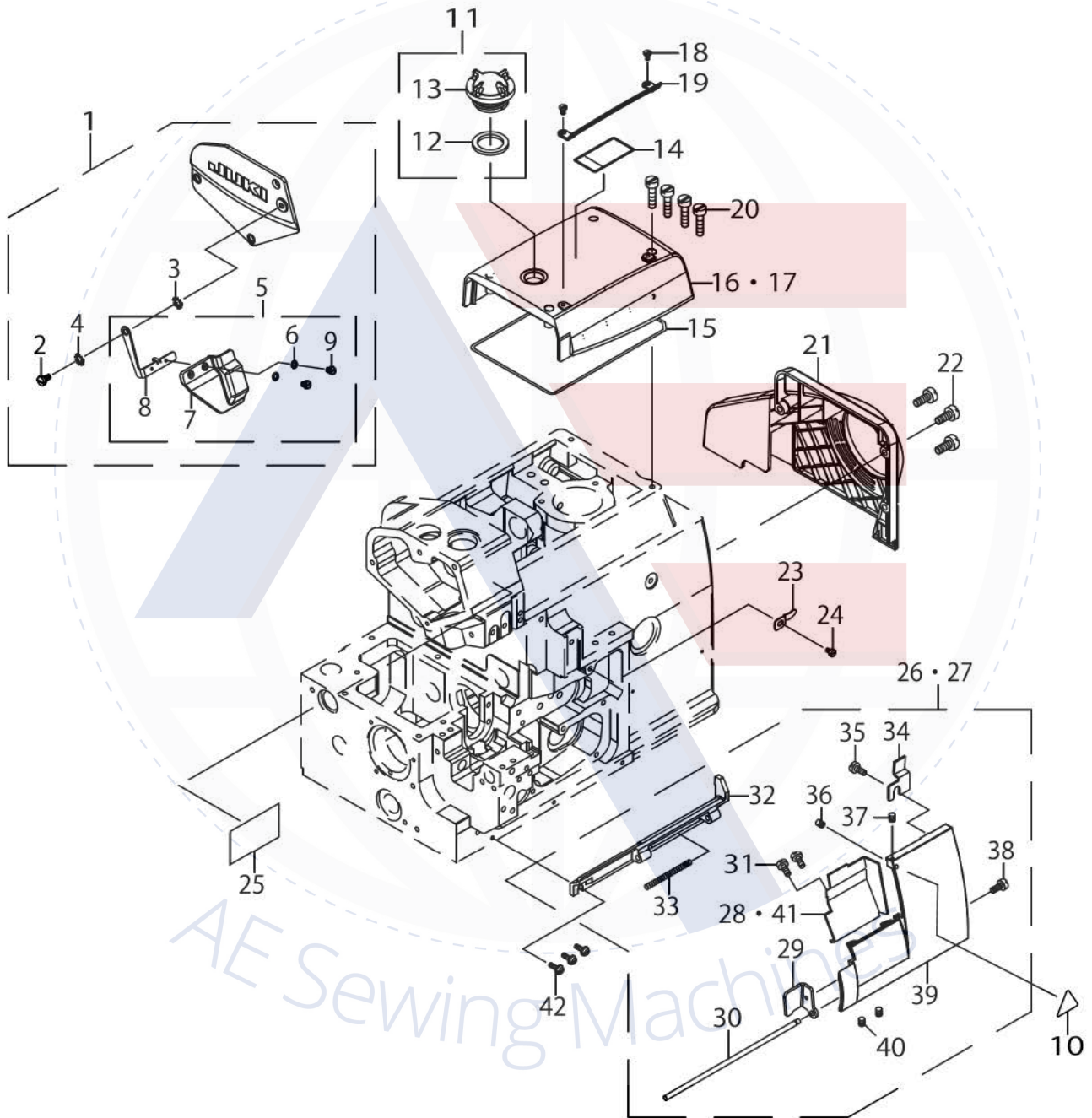


MISCELLANEOUS COVER COMPONENTS (2)

No.	C- ons	Le- vel	Parts No.	Replacement	Supply Code	Parts name	Qty	R- ep. Q- TY	Status	Spec	Remarks
1			40159557			FABRIC PLATE COVER CO	1				
2		*	70000368			WASHER	2				
3		*	70000574			M,SCREW	2				
4		*	70000490			RUBBER PLUG	1				
5		*	70000334			FIXED SEAT	1				
6		*	40159562			WASHER	1				
7		*	40159563			M,SCREW	1				
8		*	40159556			SIDE COVER	1				
9		*	40159555			FABRIC PLATE COVER	1				
10		*	40159564			LEVER	1				
11		*	40159565			SPRING	1				
12		*	70000528			E,SCREW	1				
13		*	40159558			BUSHING	1				
14		*	40159559			WASHER	1				
15		*	40159560			WASHER	1				
16		*	70000577			M,SCREW	1				
17		*	40159561			RUBBER PLUG	1				
18			40159552			M,SCREW	1				
19			40159553			GUIDE PLATE	1				
20			40159554			OILER COVER	1				
21			70000516			E,SCREW	2				
22			70000404			FIXED PLATE	1				
23			70000518			E,SCREW	1				
24			70000453			NUT	1				
25		*	70000452			NUT	1				
26		*	70000563			E,SCREW	1				
27			70000494			SCREW	2				
28			70000493			FABRIC GUIDE	1				
29			70000515			E,SCREW	2				
30			70000755			SPONGY CUSHION	1				
31			40159551			LABEL,(GROUND_MARK)	1				

AE Sewing Machines

MODEL	04S/14S	16S/43S
MISCELLANEOUS COVER COMPONENTS (3)		
PARTS NO	28	41
	26	27

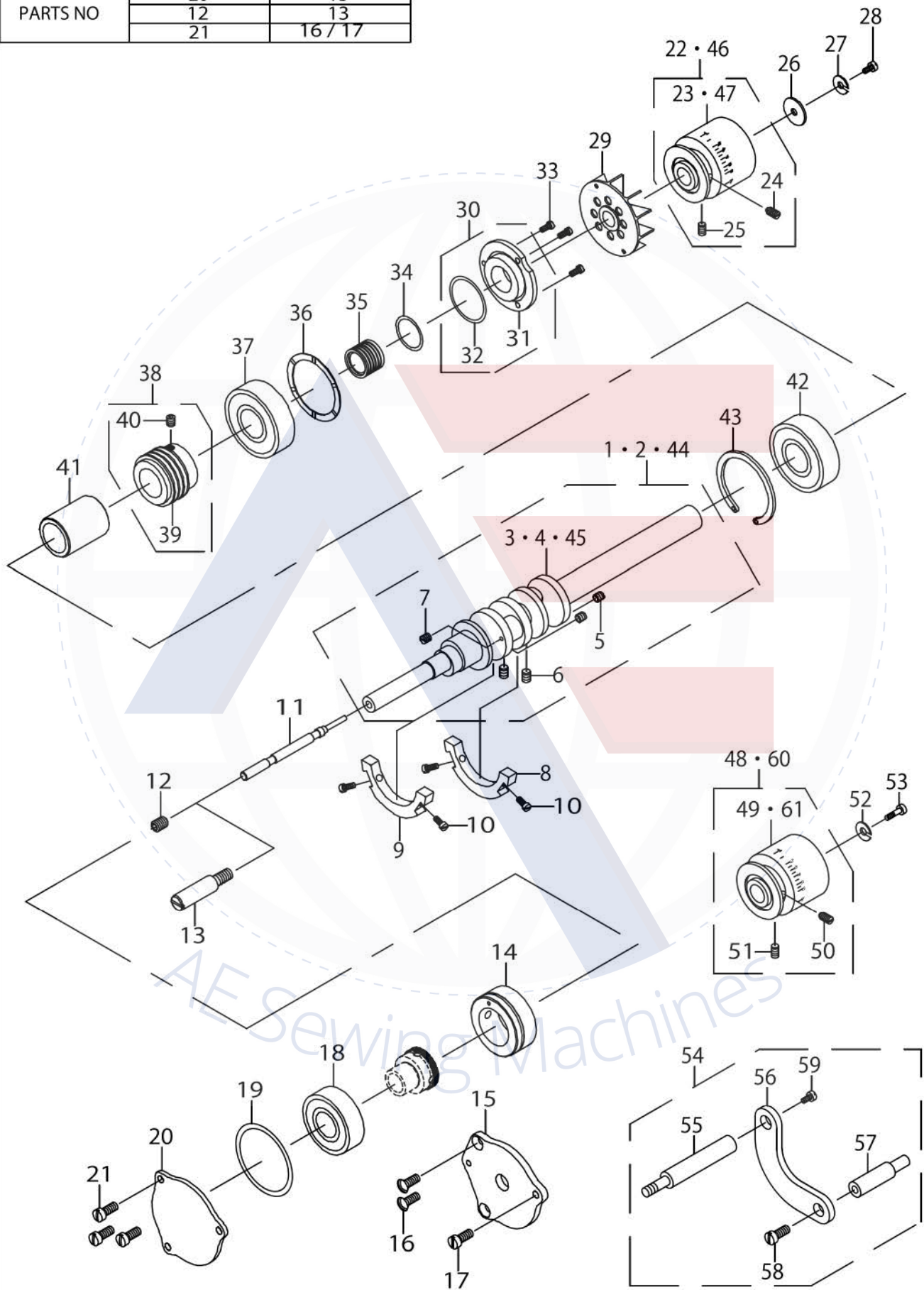


MISCELLANEOUS COVER COMPONENTS (3)

No.	C- ons	Le- vel	Parts No.	Replacement	Supply Code	Parts name	Qty	R- ep. Q- TY	Status	Spec	Remarks
1			40159571			SIDE COVER	1				
2		*	40159573			M_SCREW	1				
3		*	40159572			WASHER	1				
4		*	40159572			WASHER	1				
5		*	40159577			SAFETY PLATE COMB.	1				
6		*	40159576			WASHER	2				
7		*	40159575			SAFETY PLATE	1				
8		*	40159574			SAFETY PLATE BRACKET	1				
9		*	70000908			M_SCREW	2				
10			70000736			LABEL	1				
11			40159579			OIL LEVEL INSPECTION LI	1				
12		*	70000136			GASKET	1				
13		*	40159578			OIL LEVEL INSPECTION LI	1				
14			70000161			LABEL	1				
15			70000222			O-RING	1				
16			40159582			TOP COVER	1				
17			40159583			TOP COVER (43 SIZE)	1				FOR 43S
18			40159580			E_SCREW	2				
19			40159581			THREAD GUIDE PLATE	1				
20			70000563			E_SCREW	4				
21			40159584			MOTOR COVER	1				
22			70000520			E_SCREW	3				
23			70000745			GUIDE PLATE	1				
24			70000555			E_SCREW	1				
25			*****			EMBLEM	1				
26			40159585			FRONT COVER COMB.	1				FOR 04S,14S
27			40159593			FRONT COVER COMB.	1				FOR 16S,43S
28		*	70000481			FRONT COVER	1				FOR 04S,14S
29		*	70000660			PIN	1				
30		*	40159590			SHAFT	1				
31		*	70000577			M_SCREW	2				
32		*	40159586			FIXED SEAT	1				
33		*	40159587			SPRING	1				
34		*	70000744			RETAINING CLIP	1				
35		*	70000577			M_SCREW	1				
36		*	70000570			M_SCREW	1				
37		*	70000569			M_SCREW	1				
38		*	40159591			E_SCREW	1				
39		*	40159592			FRONT COVER	1				
40		*	70000573			M_SCREW	2				
41			70000820			FRONT COVER	1				FOR 16S,43S
42			40159589			E_SCREW	3				

AE Sewing Machines

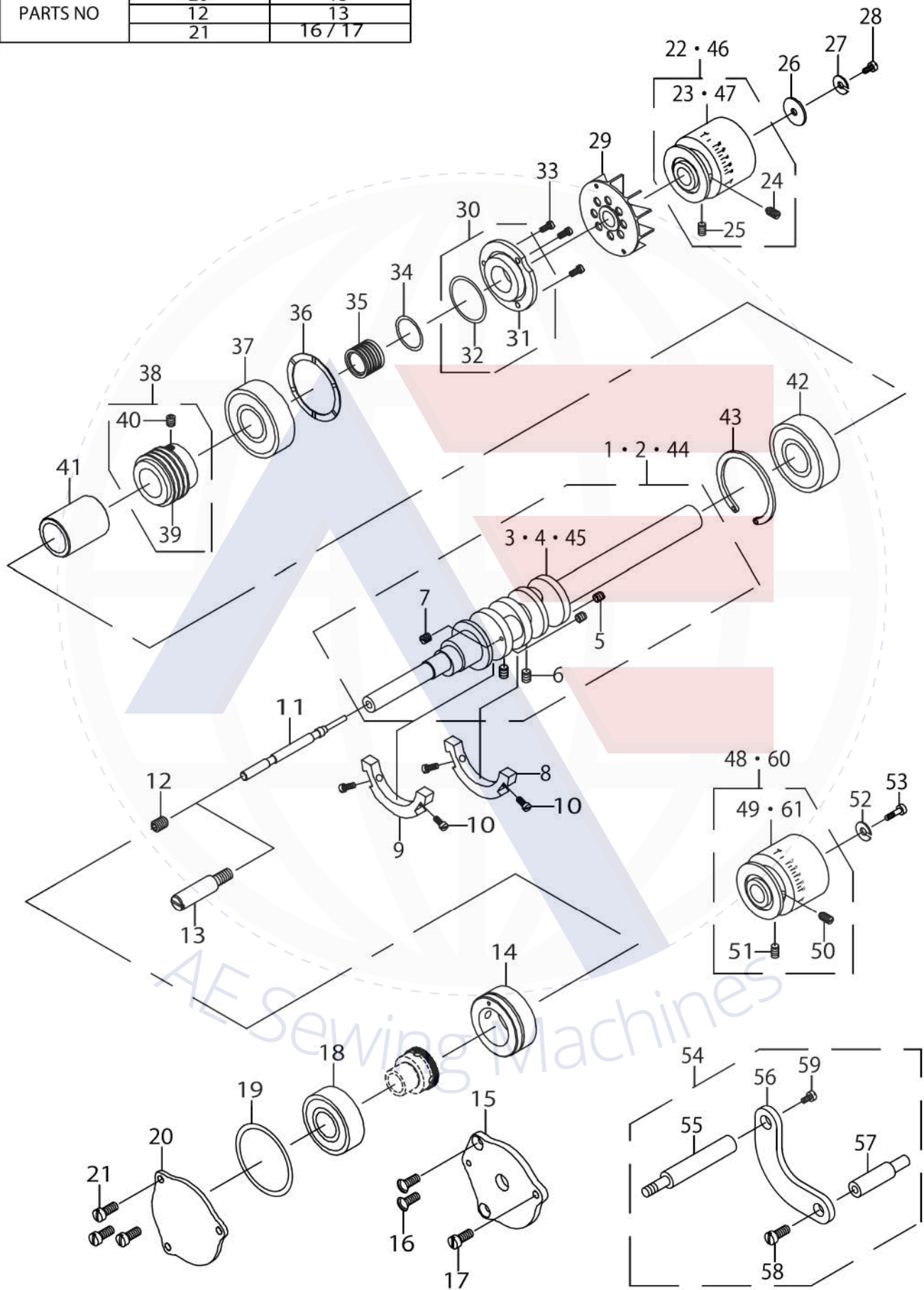
MODEL	04S/14S	16S/43S
	20	15
PARTS NO	12	13
	21	16/17



CRANKSHAFT COMPONENTS

No.	C- ons	Le- vel	Parts No.	Replacement	Supply Code	Parts name	Qty	R- ep. Q- TY	Status	Spec	Remarks
1			40159606			MAIN SHAFT COMB.	1				
2			40159607			MAIN SHAFT COMB. (HIGH TYPE)	1				FOR 14S-40H,14S
3	*		40159604			MAIN SHAFT	1				
4	*		40159605			MAIN SHAFT (HIGH TYPE)	1				FOR 14S-40H,14S
5	*		7000565			E_SCREW	2				
6	*		7000564			E_SCREW	2				
7	*		7000565			E_SCREW	1				
8			70000619			BALANCE BLOCK	1				
9			70000620			BALANCE BLOCK	1				
10			70000535			E_SCREW	4				
11			70000737			SHAFT	1				
12			40159608			M_SCREW	1				FOR 04S,14S
13			70000460			FASTENER PIN	1				FOR 16S,43S
14			70000130			BUSHING	1				
15			70000701			BEARING COVER	1				FOR 16S,43S
16			70000554			E_SCREW	2				FOR 16S,43S
17			70000562			E_SCREW	1				FOR 16S,43S
18			70000694	Discontinue		BEARING	1				
19			70000145			O-RING	1				
20			70000700			BEARING COVER	1				FOR 04S,14S
21			70000508			E_SCREW	3				FOR 04S,14S
22			40159602			HAND WHEEL COMB.	1				
23	*		40159601			HAND WHEEL	1				
24	*		70000536			E_SCREW	1				
25	*		70000546			E_SCREW	1				
26			70000341			GASKET	1				
27			70000612			WASHER	1				
28			40159603			M_SCREW	1				
29			70000750			FAN BLADE	1				
30			70000431			SIDE COVER COMB.	1				
31	*		70000430			SIDE COVER	1				
32	*		70000145			O-RING	1				
33			70000521			E_SCREW	3				
34			70000143			O-RING	1				
35			70000149			WORM WHEEL	1				
36			70000699			WASHER	1				
37			70000695			BEARING	1				
38			70000259			WORM WHEEL	1				
39	*		70000257			WORM WHEEL	1				
40	*		70000522			E_SCREW	1				
41			70000314			SHAFT	1				
42			70000696			BEARING	1				
43			70000449			STOP RING	1				
44			40164012			MAIN SHAFT COMB.(30P)	1				FOR 30P
45	*		40164011			MAIN SHAFT (30P)	1				FOR 30P
46			40164057			HAND WHEEL COMB.(30P)	1				FOR 30P
47	*		40164058			HAND WHEEL (30P)	1				FOR 30P
48			40159660			HAND WHEEL COMB.(SYN)	1				OPTIONAL PAR
49	*		40159659			HAND WHEEL (SYNCHRO)	1				
50	*		70000536			E_SCREW	1				
51	*		70000546			E_SCREW	1				
52			70000612			WASHER	1				OPTIONAL PAR
53			70000928			M_SCREW	1				OPTIONAL PAR
54			40170846			SYNCHRONIZER_STOPPER	1				OPTIONAL PAR
55	*		40170847			SYNCHRONIZER_BASE_STU	1				
56	*		40170848			SYNCHRONIZER_STOPPER	1				
57	*		40022255			SYNCHRONIZER_STOPPER	1				
58	*		SS6120940SP			SCREW 3/16-28 L=9	1				
59	*		SS6111010TP			SCREW 11/64-40 L= 9.5	1				
60			40164010			HAND WHEEL COMB.(30P)	1				OPTIONAL PAR

MODEL	04S/14S	16S/43S
	20	15
PARTS NO	12	13
	21	16/17

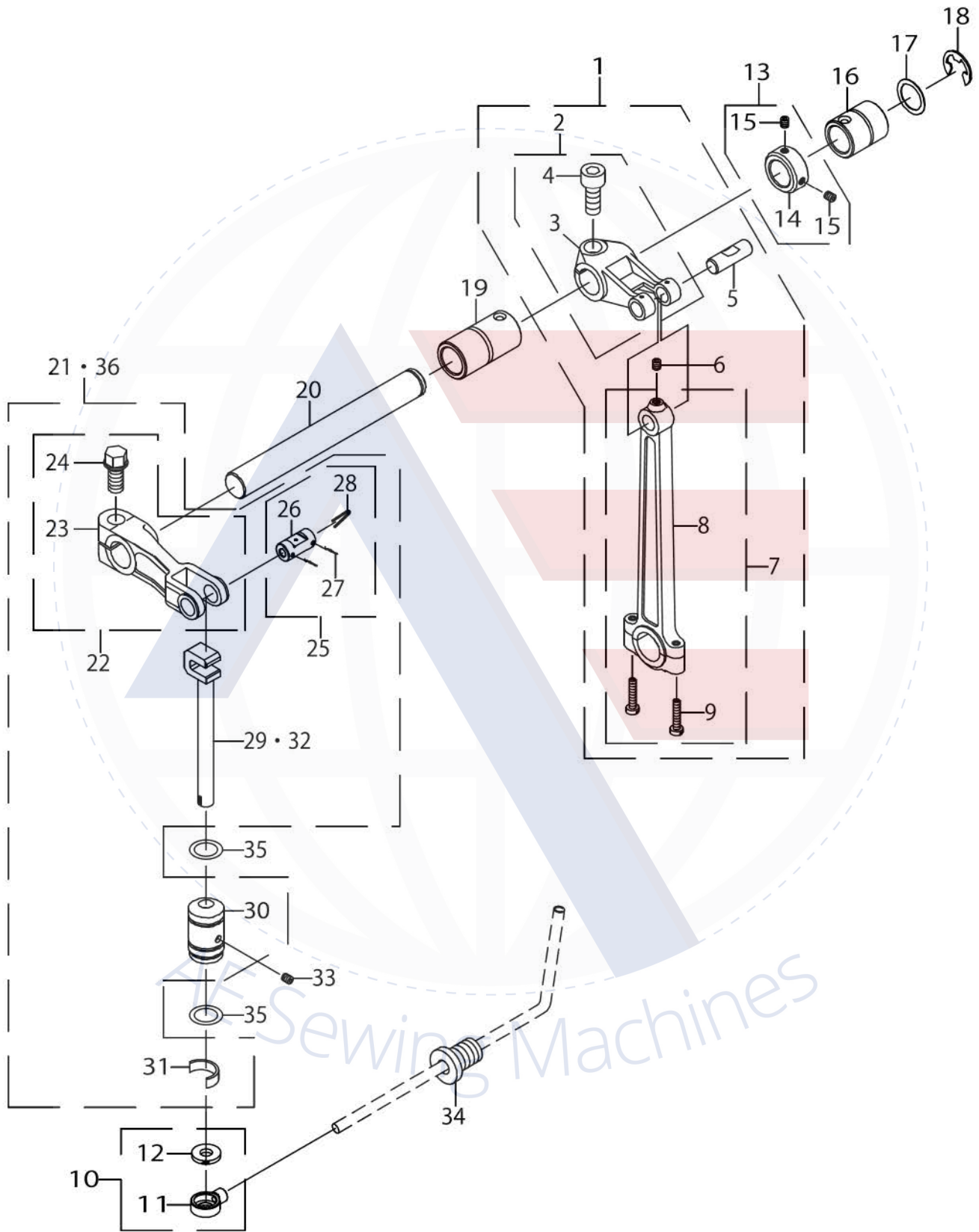


CRANKSHAFT COMPONENTS

No.	C- ons	Le- vel	Parts No.	Replacement	Supply Code	Parts name	Qty	R- ep. Q- TY	Status	Spec	Remarks
61		*	40164059			HAND WHEEL (30P.SYNCH	1				

AE Sewing Machines

NEEDLE DRIVING SHAFT COMPONENTS

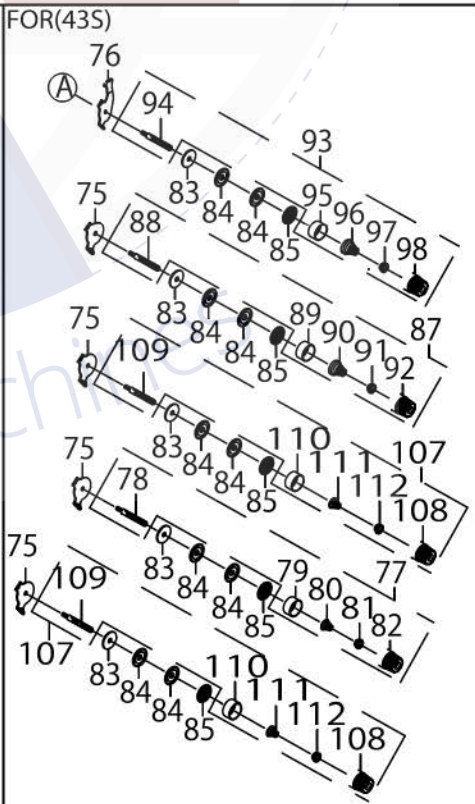
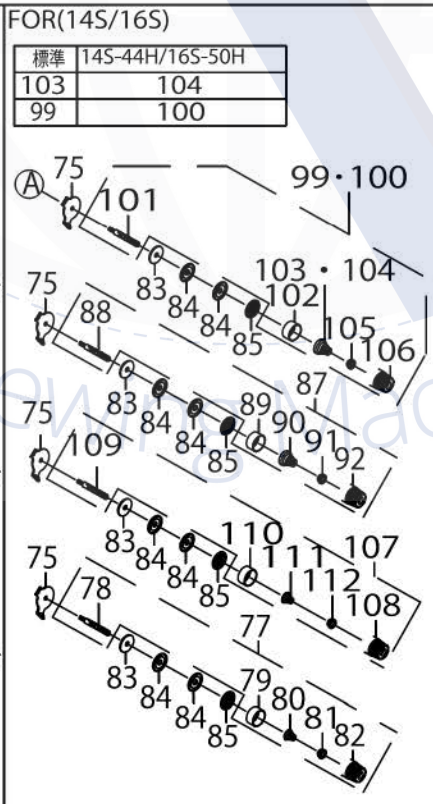
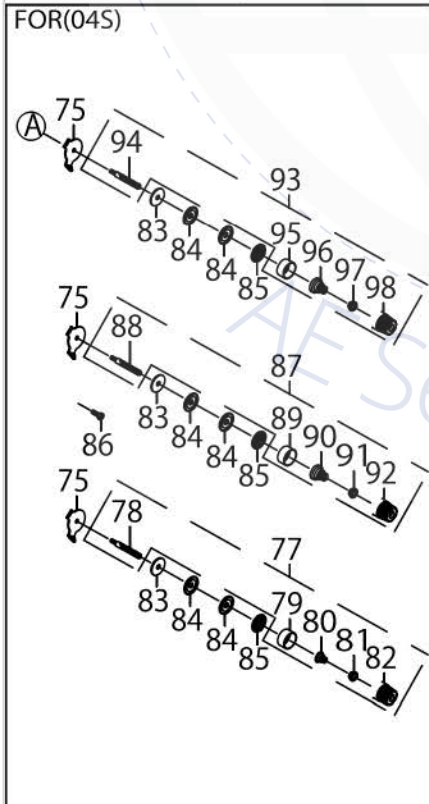
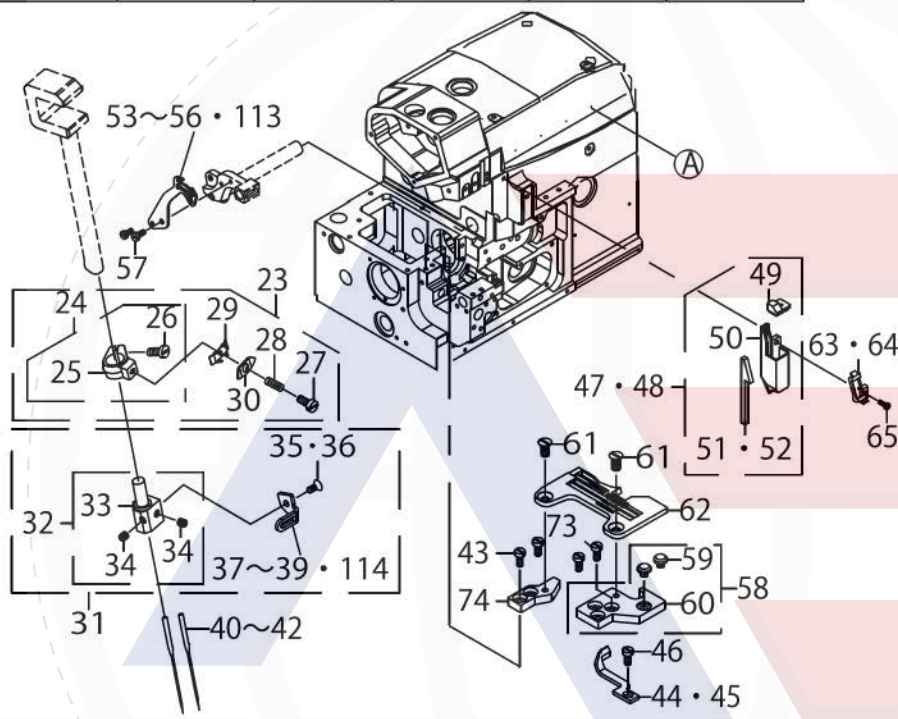
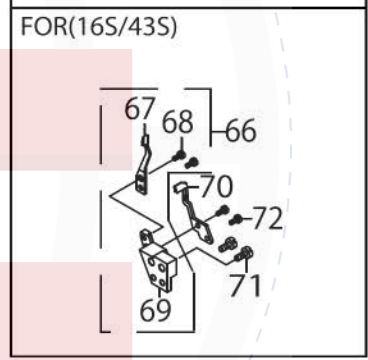
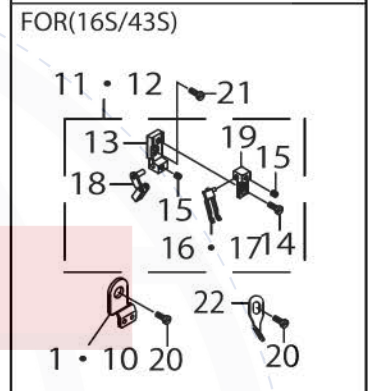
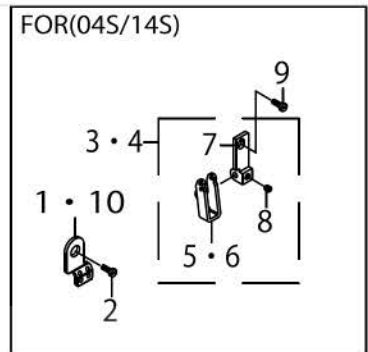


NEEDLE DRIVING SHAFT COMPONENTS

No.	C- ons	Le- vel	Parts No.	Replacement	Supply Code	Parts name	Qty	R- ep. Q- TY	Status	Spec	Remarks
1			40159615			SHAFT COMB.	1				
2		*	70000643			SHAFT	1				
3		*	70000640			NEEDLE BAR ROCKER	1				
4		*	70000588			M_SCREW	1				
5		*	70000646			PIN	1				
6		*	70000522			E_SCREW	1				
7		*	40159618		Disconinue	CONNECTING ROD COMB.	1				
8		*	40159617			CONNECTING ROD	1				
9		*	70000578			M_SCREW	2				
10			70000267			OIL FELT	1				
11		*	70000266			PLUG	1				
12		*	70000677			OIL FELT	1				
13			70000437			COLLAR	1				
14		*	70000432			COLLAR	1				
15		*	70000522			E_SCREW	2				
16			70000637			BUSHING	1				
17			70000362			WASHER	1				
18			70000134			E_CIRCLIPS	1				
19			70000639			BUSHING	1				
20			70000635			ARBOR	1				
21			40159619			NEEDLE BAR COMB.	1				
22		*	70000633		Disconinue	CONNECTING ROD COMB.	1				
23		*	70000632			CONNECTING ROD	1				
24		*	70000593			M_SCREW	1				
25		*	70000638		Disconinue	SHAFT COMB.	1				
26		*	70000636			SHAFT	1				
27		*	70000728			OIL YARN	2				
28		*	70000729			OIL WICK	1				
29		*	70000654			NEEDLE BAR	1				
30		*	40159620			BUSHING	1				
31		*	70000676			OIL FELT	1				
32		*	40159658			NEEDLE BAR (44H)	1				FOR 14S-44H
33			70000503			E_SCREW	1				
34			70000445			PLUG	1				
35			70000141			O-RING	2				
36			40159623			NEEDLE BAR COMB.(44H)	1				FOR 14S-44H

AE Sewing Machines

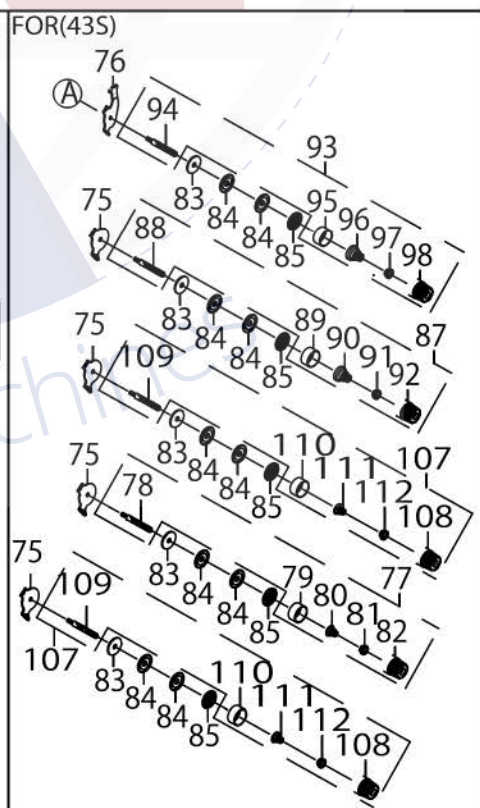
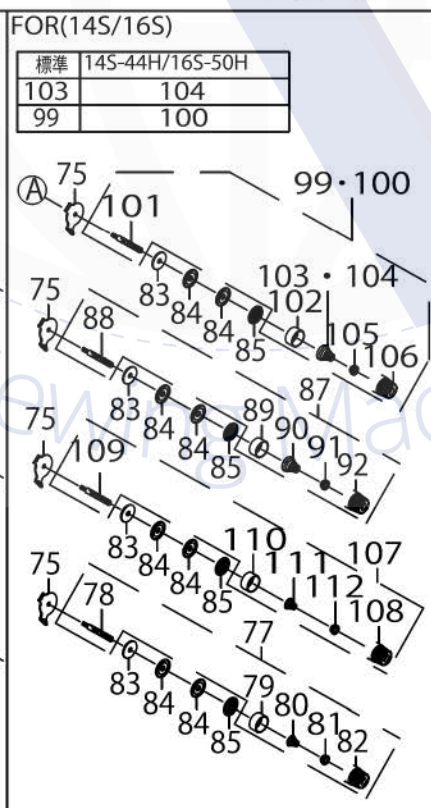
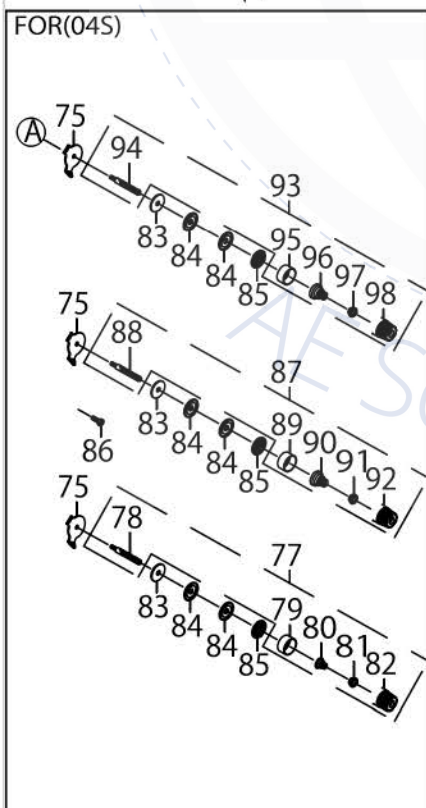
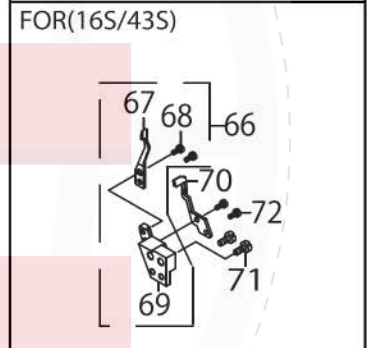
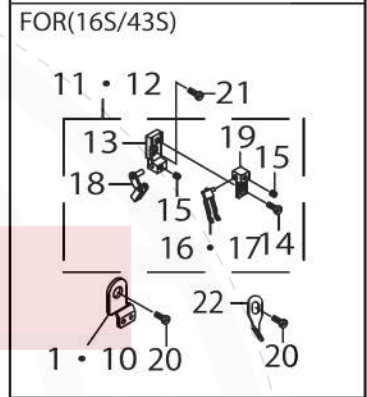
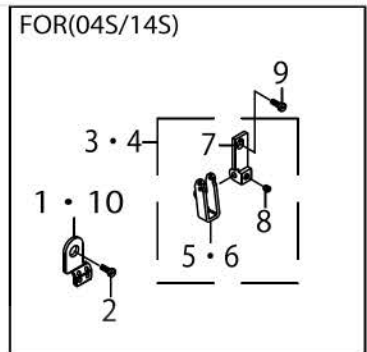
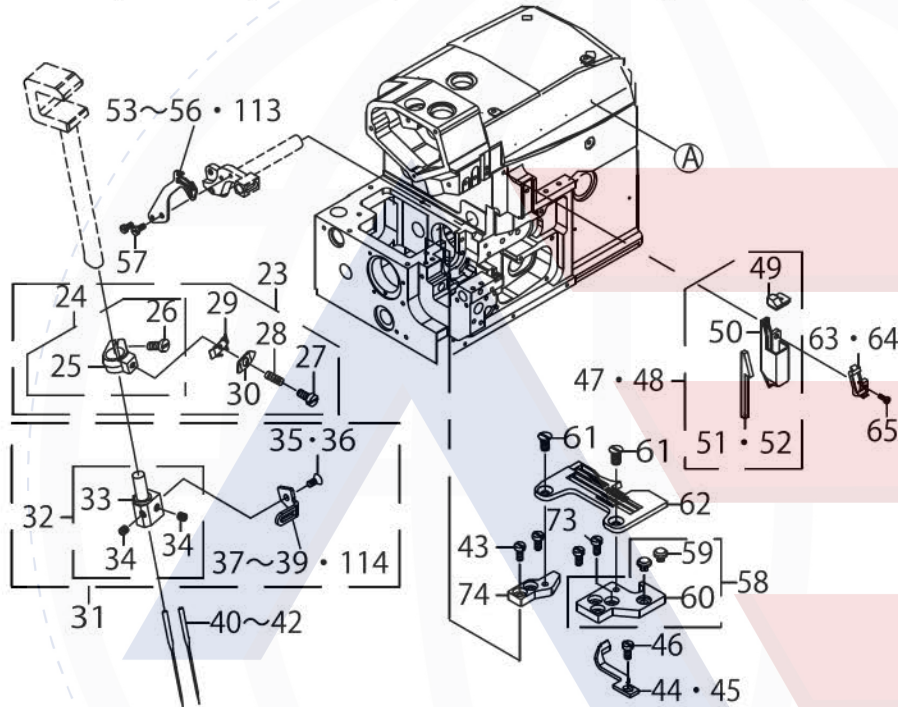
MODEL	04S	14S	16S	43S	14S-30P
THREAD	TELEVISION COMPONENTS				
	10	10	10	1	
	5	6	16	17	
	54	53	55	56	113
	51	51	52	52	
	63	63	64	64	
	44	44	45	45	
PARTS NO	38	37	114	39	
	8	8	15	15	
	2	2	20	20	
	9	9	21	21	
			14	14	
	35	35	36	36	
	3	4	11	12	
	47	47	48	48	



THREAD TENSION COMPONENTS

No.	C- ons	Le- vel	Parts No.	Replacement	Supply Code	Parts name	Qty	R- ep. Q- TY	Status	Spec	Remarks
1			40159645			THREAD GUIDE PLATE	1				FOR 14S,43S
2			70000513			E_SCREW	1				FOR 04S,14S
3			70000173			FIXED PLATE COMB.	1				FOR 04S
4			70000832			FIXED PLATE COMB.	1				FOR 14S
5		*	70000822			THREAD GUIDE PLATE	1				FOR 04S
6		*	40159650			THREAD GUIDE PLATE	1				FOR 14S
7		*	70000164			FIXED PLATE	1				
8		*	70000498			E_SCREW	1				FOR 04S,14S
9			70000549			E_SCREW	1				FOR 04S,14S
10			40159646			THREAD GUIDE PLATE	1				FOR 04S,16S
11			70000174			FIXED PLATE COMB.	1				FOR 16S
12			70000833			FIXED SEAT COMB.	1				FOR 43S
13		*	70000171			FIXED SEAT	1				
14		*	70000559			E_SCREW	1				FOR 16S,43S
15		*	70000498			E_SCREW	2				FOR 16S,43S
16		*	40159647			THREAD GUIDE PLATE	1				FOR 16S
17		*	40159651			THREAD GUIDE PLATE	1				FOR 43S
18		*	40159648			THREAD GUIDE PLATE	1				
19		*	70000169			FIXED BLOCK	1				
20			70000513			E_SCREW	2				FOR 16S,43S
21			70000555			E_SCREW	1				FOR 16S,43S
22			70000168			THREAD GUIDE PLATE	1				
23			70000629			CATCHER	1				
24		*	70000653			CRAMP	1				
25		*	70000652			CRAMP	1				
26		*	70000572			M_SCREW	1				
27		*	40159629			M_SCREW	1				
28		*	70000598			SPRING	1				
29		*	70000626			THREAD GRIP	1				
30		*	70000627			THREAD GRIP	1				
31		*	*****			NEEDLE CLAMP	1				REFER *MO-680
32		*	*****			NEEDLE CLAMP	1				REFER *MO-680
33		*	*****			NEEDLE CLAMP	1				REFER *MO-680
34		*	70000498			E_SCREW	2				
35		*	70000567			M_SCREW	1				FOR 04S,14S
36		*	70000831			M_SCREW	1				FOR 16S,43S
37		*	70000628			THREAD CROSSING	1				FOR 14S
38		*	70000828			THREAD CROSSING	1				FOR 04S
39		*	70000829			THREAD CROSSING	1				FOR 43S
40		*	*****			NEEDLE	2				REFER *MO-680
41		*	*****			NEEDLE	1				REFER *MO-680
42		*	*****			NEEDLE	3				REFER *MO-680
43			70000550			E_SCREW	2				
44			70000469			NEEDLE GUARD	1				FOR 04S,14S
45			70000827			NEEDLE GUARD	1				FOR 16S,43S
46			70000555			E_SCREW	1				
47			70000887			OILER	1				FOR 04S,14S
48			40159652			OILER	1				FOR 16S,43S
49		*	70000849			OILER COVER	1				
50		*	70000847			OILER	1				
51		*	70000848			OIL FELT	1				FOR 04S,14S
52		*	70000885			OIL FELT	1				FOR 16S,43S
53			40159630			THREAD TAKE-UP LEVER	1				FOR 14S
54			40159653			THREAD TAKE-UP LEVER	1				FOR 04S
55			40159654			THREAD TAKE-UP LEVER	1				FOR 16S
56			40159655			THREAD TAKE-UP LEVER	1				FOR 43S
57			70000505			E_SCREW	2				
58			40159628			NEEDLE PLATE BRACKET	1				
59		*	70000704			RUBBER PLUG	2				
60		*	40159626			NEEDLE PLATE BRACKET	1				

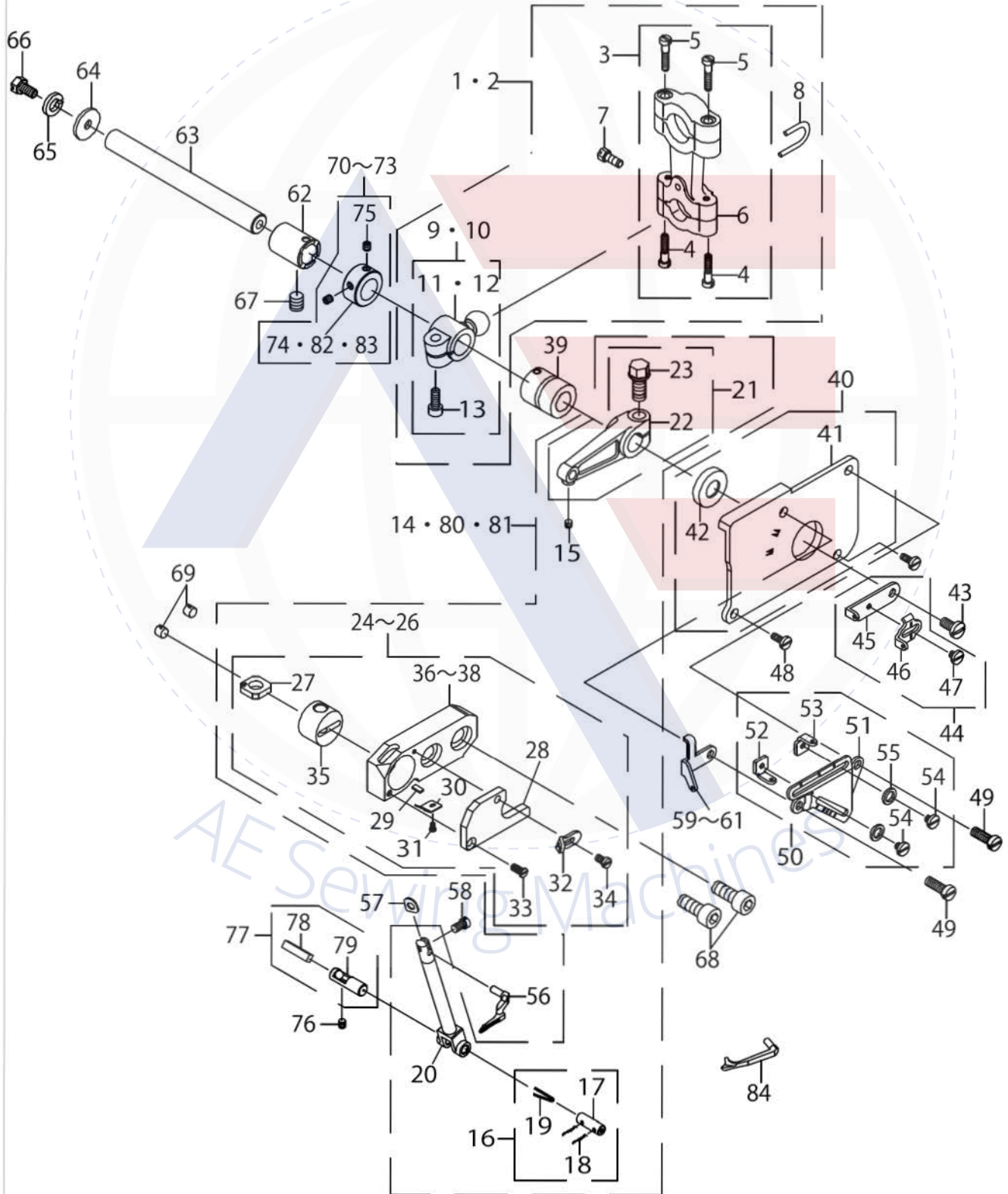
MODEL	04S	14S	16S	43S	14S-30P
THREAD	TELEVISION COMPONENTS				
	5	6	16	17	
	54	53	55	56	113
	51	51	52	52	
	63	63	64	64	
	44	44	45	45	
PARTS NO	38	37	114	39	
	8	8	15	15	
	2	2	20	20	
	9	9	21	21	
			14	14	
	35	35	36	36	
	3	4	11	12	
	47	47	48	48	



THREAD TENSION COMPONENTS

No.	C- ons	Le- vel	Parts No.	Replacement	Supply Code	Parts name	Qty	R- ep. Q- TY	Status	Spec	Remarks
61			70000516			E_SCREW	2				
62			*****			THROAT PLATE	1				REFER "MO-680 FOR 04S,14S FOR 16S,43S
63			70000850			THREAD GUIDE PLATE	1				
64			40159649			THREAD GUIDE PLATE	1				
65			40159625			E_SCREW	1				
66			70000337			FIXED SEAT COMB.	1				
67		*	70000336			NEEDLE GUARD	1				
68		*	70000497			E_SCREW	2				
69		*	70000630			NEEDLE GUARD	1				
70			70000335			NEEDLE GUARD	1				
71			70000526			E_SCREW	2				
72			70000497			E_SCREW	2				
73			70000550			E_SCREW	2				
74			40159627			NEEDLE PLATE BRACKET	1				
75			40159631			THREAD GUIDE PLATE	11				
76			40159644			THREAD GUIDE PLATE	1				
77			40159640			THREAD TENSION COMB.(3				
78		*	40159632			THREAD TENSION SHAFT	1				
79		*	40159634			SLEEVE	1				
80		*	70000211			SPRING	1				
81		*	40159636			FIXED RING	1				
82		*	40178548			THREAD TENSION KNOB.(1				
83			40159633			THREAD TENSION RUBBER	12				
84			70000203			THREAD GRIP	24				
85			70000213			OIL FELT	12				
86			70000513			E_SCREW	1				
87			40159641			THREAD TENSION COMB.(3				
88		*	40159632			THREAD TENSION SHAFT	1				
89		*	40159634			SLEEVE	1				
90		*	40159624			SPRING	1				
91		*	40159636			FIXED RING	1				
92		*	40178550			THREAD TENSION KNOB.(1				
93			40159642			THREAD TENSION COMB.	2				
94		*	40159632			THREAD TENSION SHAFT	1				
95		*	40159634			SLEEVE	1				
96		*	40159624			SPRING	1				
97		*	40159636			FIXED RING	1				
98		*	40178549			THREAD TENSION KNOB.(1				
99			40159642			THREAD TENSION COMB.(1				
100			40159656			THREAD TENSION COMB.(1				FOR 14S-44H,16
101		*	40159632			THREAD TENSION SHAFT	1				
102		*	40159634			SLEEVE	1				
103		*	40159624			SPRING	1				
104		*	40159657			SPRING	1				
105		*	40159636			FIXED RING	1				FOR 14S-44H,16
106		*	40178549			THREAD TENSION KNOB.(1				
107			40159643			THREAD TENSION COMB.(3				
108		*	40178550			THREAD TENSION KNOB.(1				
109		*	40159632			THREAD TENSION SHAFT	1				
110		*	40159634			SLEEVE	1				
111		*	70000211			SPRING	1				
112		*	40159636			FIXED RING	1				
113			40164056			THREAD TAKE-UP LEVER	1				FOR 14S-30P
114		*	40172527			THREAD CROSSING	1				FOR 16S

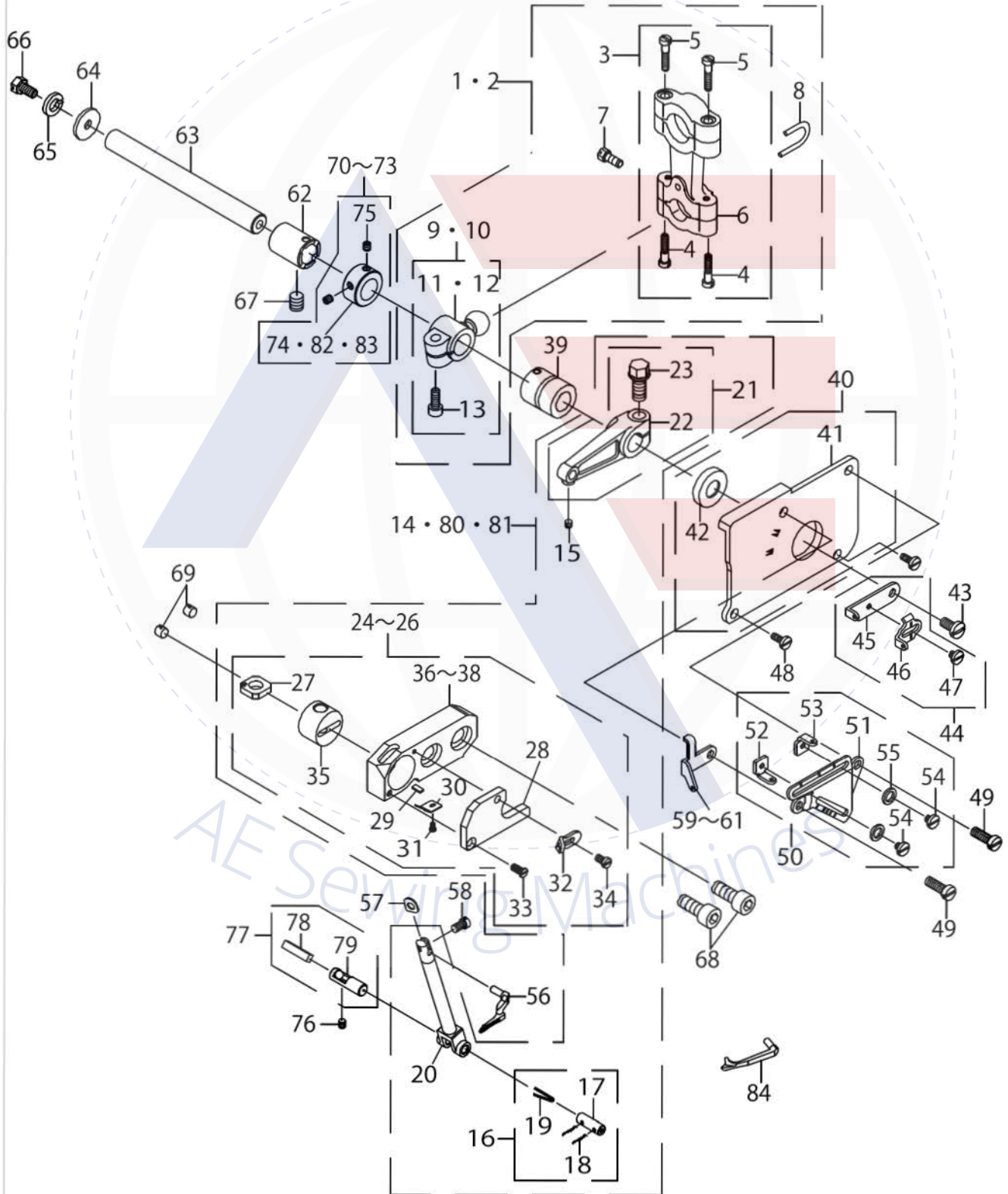
MODEL	04S/16S	14S/43S	14S-44H	16S-50H
PARTS NO	73	72	70	71 + 72
	12	11	11	12
	10	9	9	10
	2	1	1	2
	36	37	38	36
	24	25	26	24
		59	60	61
	14	80	81	14
	82	83	74	83



UPPER LOOPER COMPONENTS

No.	C- ons	Le- vel	Parts No.	Replacement	Supply Code	Parts name	Qty	R- ep. Q- TY	Status	Spec	Remarks
1			40159686			BALL CONNECTING ROD C	1				FOR 14S,43S,14S
2			40159687			BALL CONNECTING ROD C	1				FOR 04S,16S,16S
3		*	40179596			CONNECTING ROD	1				
4		*	40179597			E_SCREW	2				
5		*	40179597			E_SCREW	2				
6		*	40178084			BALL CONNECTING ROD	1				
7		*	70000545			E_SCREW	1				
8		*	40159684			FIXED JAW	1				
9		*	70000254			BALL CONNECTING ROD C	1				FOR 14S,43S,14S
10		*	40159678			BALL CONNECTING ROD C	1				FOR 04S,16S,16S
11		*	70000253			BALL CONNECTING ROD	1				FOR 14S,43S,14S
12		*	70000834			BALL CONNECTING ROD	1				FOR 04S,16S,16S
13		*	70000590			M_SCREW	1				
14			40159675			CONNECTING ROD SEAT C	1				FOR 04S,16S
15		*	70000498			E_SCREW	1				
16		*	70000251			LOOPER CONNECTING RC	1				
17		*	70000661			PIN	1				
18		*	70000728			OIL YARN	2				
19		*	70000729			OIL WICK	1				
20		*	40172535			LOOPER CONNECTING RC	1				
21		*	70000240			CONNECTING ROD COMB.	1				
22		*	70000239			CONNECTING ROD	1				
23		*	70000593			M_SCREW	1				
24		*	40159675			CONNECTING ROD SEAT C	1				FOR 04S,16S,16S
25		*	40159681			CONNECTING ROD SEAT C	1				FOR 14S,43S
26		*	40159682			CONNECTING ROD SEAT C	1				FOR 14S-44H
27		*	70000678			OIL WICK	1				
28		*	70000243			FIXED PLATE	1				
29		*	40159671			OIL FELT	1				
30		*	40159672			FELT COVER	1				
31		*	70000538			E_SCREW	1				
32		*	70000193			THREAD CROSSING	1				
33		*	70000560			E_SCREW	1				
34		*	40159674			E_SCREW	1				
35		*	70000241	70000836		LOOPER GUIDE SHAFT	1	1.00	選択部品	for 3 NEEDLE	
35		*	70000241	70000837		LOOPER GUIDE SHAFT	1	1.00	選択部品	for 4 NEEDLE	
35		*	70000241	70000245		LOOPER GUIDE SHAFT	1	1.00	選択部品	for 5 NEEDLE	
36		*	40159673			CONNECTING ROD SEAT	1				FOR 04S,16S,16S
37		*	40159679			CONNECTING ROD SEAT	1				FOR 14S,43S
38		*	40159680			CONNECTING ROD SEAT	1				FOR 14S-44H
39			70000248			BUSHING	1				
40			70000749			COVER	1				
41		*	70000748			COVER	1				
42		*	70000268			OIL SEAL	1				
43			70000515			E_SCREW	1				
44			70000202			THREAD CROSSING COMB	1				
45		*	70000197			THREAD CROSSING	1				
46		*	70000198			THREAD CROSSING	1				
47		*	70000501			E_SCREW	1				
48			70000521			E_SCREW	2				
49			70000521			E_SCREW	2				
50			70000201			GRADUATED PLATE COMI	1				
51		*	70000194			FIXED PLATE	1				
52		*	70000200			THREAD CROSSING	1				
53		*	70000195			THREAD CROSSING	1				
54		*	70000501			E_SCREW	2				
55		*	70000350			WASHER	2				
56			*****			LOOPER	1				REFER *MO-680
57			40159670			WASHER	1				
58			70000504			E_SCREW	1				

MODEL	04S/16S	14S/43S	14S-44H	16S-50H
PARTS NO	73	72	70	71 + 72
	12	11	11	12
	10	9	9	10
	2	1	1	2
	36	37	38	36
	24	25	26	24
		59	60	61
	14	80	81	14
	82	83	74	83

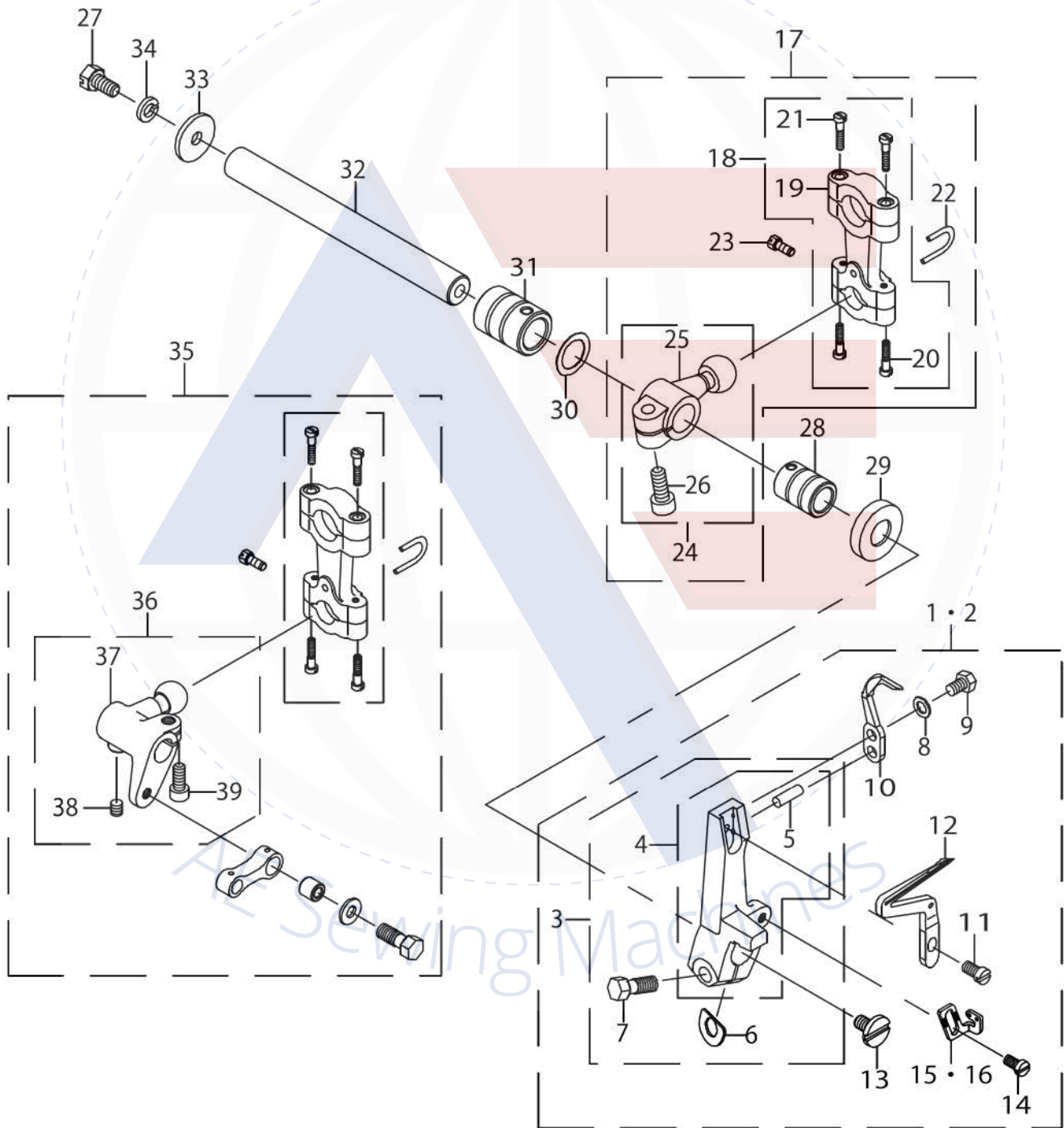


UPPER LOOPER COMPONENTS

No.	C- ons	Le- vel	Parts No.	Replacement	Supply Code	Parts name	Qty	R- ep. Q- TY	Status	Spec	Remarks
59			70000196			THREAD CROSSING	1				FOR 04S,14S,16S
60			70000812			THREAD GUIDE	1				FOR 14S-44H
61			40159683			THREAD GUIDE	1				FOR 16S-50H
62			70000247			BUSHING	1				
63			70000246			ARBOR COMB.	1				
64			70000342			GASKET	1				
65			70000613			WASHER	1				
66			70000517			E_SCREW	1				
67			70000522			E_SCREW	1				
68			70000587			M_SCREW	2				
69			70000679			OIL WICK	2				
70			40159666			COLLAR COMB.	1				FOR 14S-44H
71			70000807			COLLAR COMB.	1				FOR 16S-50H
72			40159676			COLLAR COMB.	1				FOR 14S,43S,16S
73			40159677			COLLAR COMB.	1				FOR 04S,16S
74		*	40159665			COLLAR	1				FOR 14S-44H
75		*	70000522			E_SCREW	2				
76			70000522			E_SCREW	1				
77			40159669			OIL TUBE	1				
78		*	40159668			OIL WICK	1				
79		*	40159667			OIL TUBE	1				
80			40159681			CONNECTING ROD SEAT C	1				FOR 14S,43S
81			40159682			CONNECTING ROD SEAT C	1				FOR 14S-44H
82		*	40177859			COLLAR	1				FOR 04S,16S
83		*	40159715			COLLAR	1				FOR 14S,43S,16S
84			40176583			LOOPER	1				OPTIONAL PAR

AE Sewing Machines

MODEL	04S/14S	16S/43S	16S-50H	
PARTS NO	15		16	
	1		2	
	25	37		
	24		38	
			36	
	17	35		

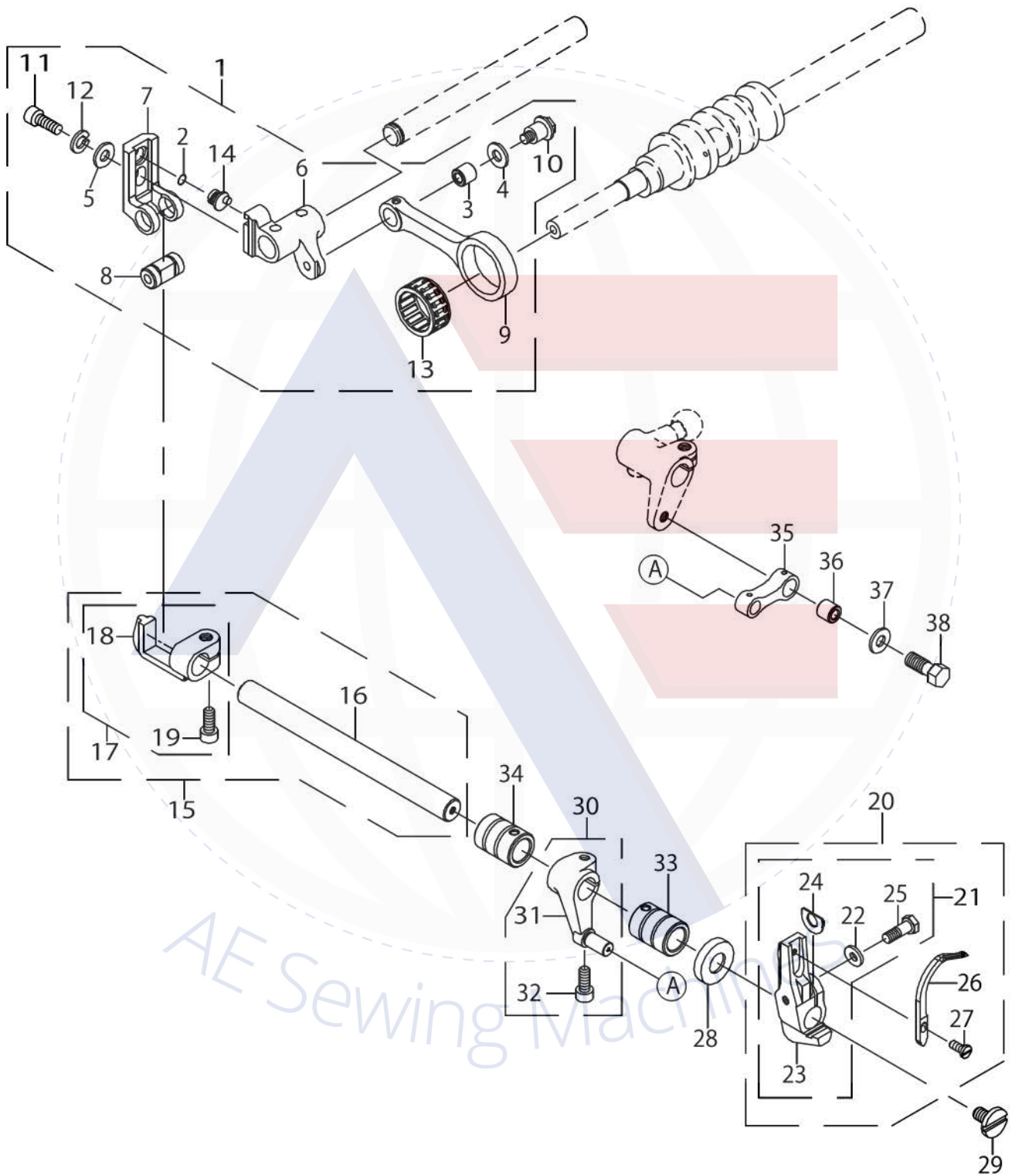


LOWER LOOPER COMPONENTS

No.	C- ons	Le- vel	Parts No.	Replacement	Supply Code	Parts name	Qty	R- ep. Q- TY	Status	Spec	Remarks
1			40159692			LOOPER HOLDER COMB.	1				FOR 04S,14S,16S
2			40159694			LOOPER HOLDER COMB.	1				FOR 16-50H
3		*	70000407			LOOPER HOLDER	1				
4		*	70000406			LOOPER HOLDER	1				
5		*	70000667			PIN	1				
6		*	70000380			GASKET	1				
7		*	70000531			E_SCREW	1				
8		*	70000751			WASHER	1				
9		*	70000511			E_SCREW	1				
10		*	70000175			EJECTOR PLATE	1				
11		*	70000505			E_SCREW	1				
12		*	70000405			LOOPER	1				
13		*	70000525			E_SCREW	1				
14		*	70000506			E_SCREW	1				
15		*	70000199			THREAD GUIDE PLATE	1				FOR 04S,14S,16S
16		*	40159693			THREAD GUIDE PLATE	1				FOR 16-50H
17			40159689			BALL CONNECTING ROD (1				FOR 04S,14S
18		*	40179596			CONNECTING ROD	1				
19		*	40178084			BALL CONNECTING ROD	1				
20		*	40179597			E_SCREW	2				
21		*	40179597			E_SCREW	2				
22		*	40159684			FIXED JAW	1				
23		*	70000545			E_SCREW	1				
24		*	70000415			BALL CONNECTING ROD	1				FOR 04S,14S
25		*	70000413			BALL CONNECTING ROD	1				FOR 04S,14S
26		*	70000590			M_SCREW	1				
27			70000517			E_SCREW	1				
28			70000410			BUSHING	1				
29			70000270			OIL SEAL	1				
30			70000752			WASHER	1				
31			70000410			BUSHING	1				
32			70000409			ARBOR	1				
33			70000343			GASKET	1				
34			70000614			WASHER	1				
35			40159690			BALL CONNECTING ROD (1				FOR 16S,43S
36		*	70000416			BALL CONNECTING ROD	1				FOR 16S,43S
37		*	70000414			BALL CONNECTING ROD	1				FOR 16S,43S
38		*	70000522			E_SCREW	1				FOR 16S,43S
39		*	70000590			M_SCREW	1				

AE Sewing Machines

CHAIN LOOPER COMPONENTS (1)

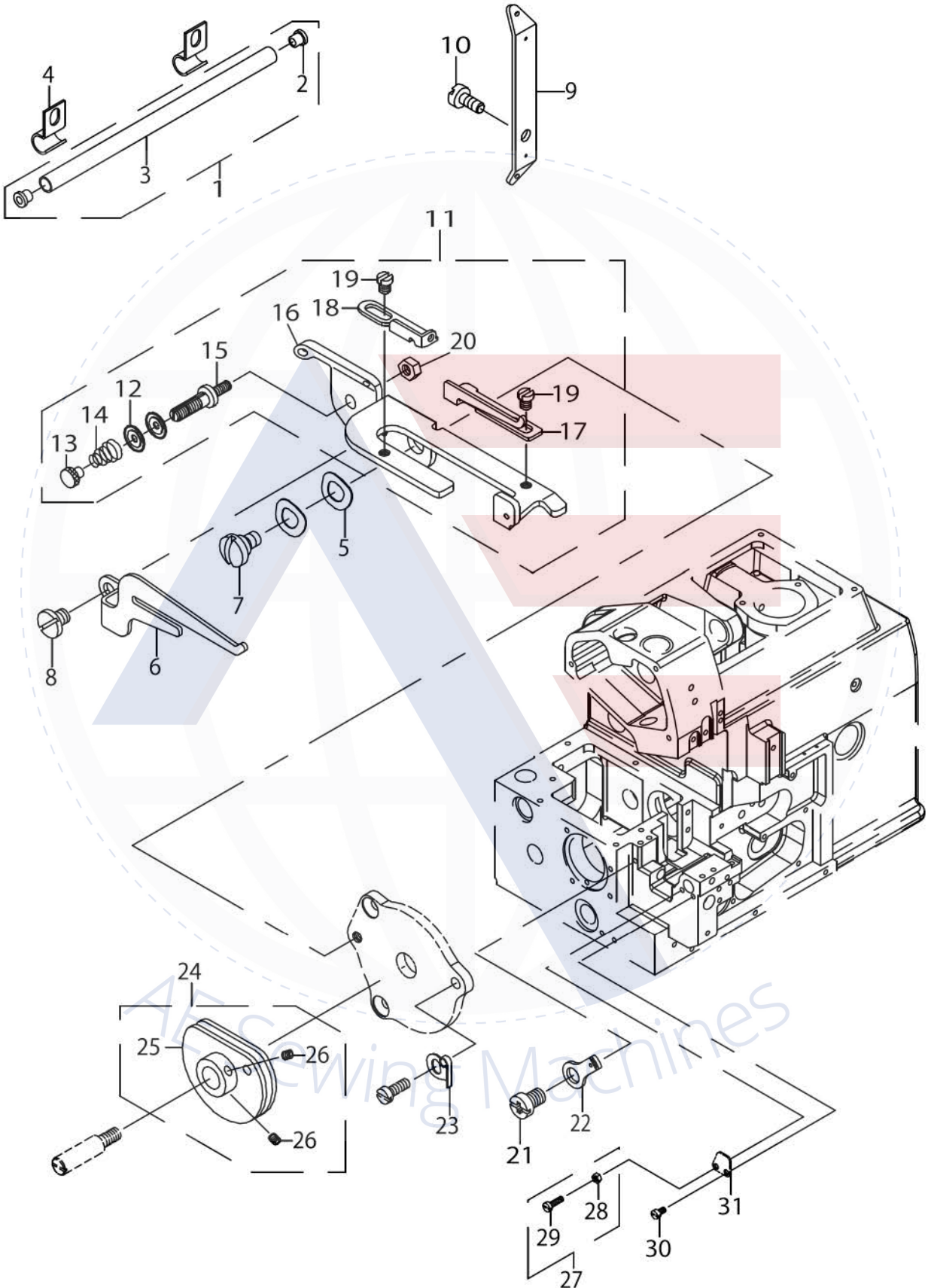


CHAIN LOOPER COMPONENTS (1)

No.	C- ons	Le- vel	Parts No.	Replacement	Supply Code	Parts name	Qty	R- ep. Q- TY	Status	Spec	Remarks
1			70000479			CONNECTING ROD COMB.	1				
2		*	70000139			O-RING	1				
3		*	70000317			BUSHING	1				
4		*	70000346			GASKET	1				
5		*	70000357			WASHER	1				
6		*	70000463			ADJUSTING SEAT	1				
7		*	70000464			ADJUSTING SEAT	1				
8		*	70000467			SHAFT	1				
9		*	70000478			CONNECTING ROD	1				
10		*	70000514			E.SCREW	1				
11		*	70000561			E.SCREW	1				
12		*	70000616			WASHER	1				
13		*	70000697			BEARING	1				
14		*	70000703			ECCENTRIC	1				
15			70000465			SLIDE BLOCK GUIDE	1				
16		*	70000461			SHAFT	1				
17		*	70000466			SLIDE BLOCK GUIDE	1				
18		*	70000462			SLIDE BLOCK GUIDE	1				
19		*	70000590			M.SCREW	1				
20			70000475			LOOPER COMB.	1				
21		*	70000476			LOOPER HOLDER	1				
22		*	70000351			WASHER	1				
23		*	70000474			LOOPER HOLDER	1				
24		*	70000380			GASKET	1				
25		*	70000531			E.SCREW	1				
26		*	70000473			LOOPER	1				
27		*	70000508			E.SCREW	1				
28			70000270			OIL SEAL	1				
29			70000525			SCREW	1				
30			70000471			LOOPER CONNECTING RC	1				
31		*	70000470			LOOPER CONNECTING RC	1				
32		*	70000590			M.SCREW	1				
33			70000477			BUSHING	1				
34			70000410			BUSHING	1				
35			70000472			CONNECTING ROD	1				
36			70000317			BUSHING	1				
37			70000346			GASKET	1				
38			70000514			E.SCREW	1				

AE Sewing Machines

CHAIN LOOPER COMPONENTS (2)

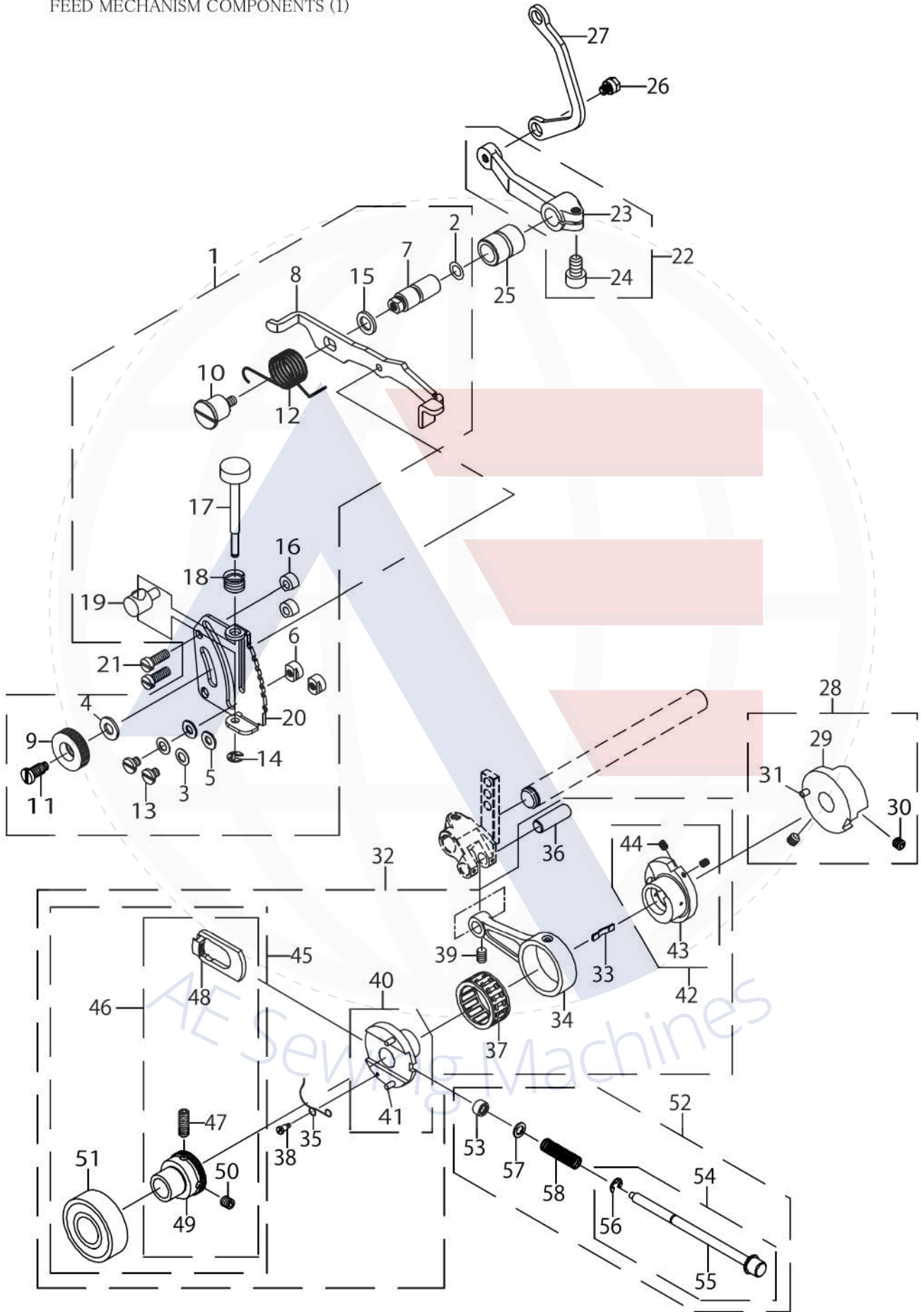


CHAIN LOOPER COMPONENTS (2)

No.	C- ons	Le- vel	Parts No.	Replacement	Supply Code	Parts name	Qty	R- ep. Q- TY	Status	Spec	Remarks
1			70000397			DUCT COMB.	1				
2		*	70000172			PLUG	2				
3		*	70000396			DUCT	1				
4			70000398			FIXED PLATE	2				
5			70000359			WASHER	2				
6			70000387			THREAD GUIDE PLATE	1				
7			70000519			E_SCREW	1				
8			70000576			M_SCREW	1				
9			70000384			THREAD CROSSING	1				
10			70000513			E_SCREW	1				
11			70000391			THREAD TAKE-UP DEVICE	1				
12		*	70000392			THREAD GRIP	2				
13		*	70000393			THREAD TENSION KNOB	1				
14		*	70000394			SPRING	1				
15		*	70000395			THREAD TENSION SHAFT	1				
16		*	70000388			BRACKET	1				
17		*	70000389			THREAD GUIDE PLATE	1				
18		*	70000390			THREAD GUIDE PLATE	1				
19		*	70000571			M_SCREW	2				
20		*	70000452			NUT	1				
21			70000557			E_SCREW	1				
22			70000383			THREAD GUIDE PLATE	1				
23			70000448			SPRING PLATE	1				
24			70000386			THREAD TENSION CAM	1				
25		*	70000385			THREAD TENSION CAM	1				
26		*	70000498			E_SCREW	2				
27			70000453			NUT	1				
28		*	70000452			NUT	1				
29		*	70000563			E_SCREW	1				
30			70000518			E_SCREW	1				
31			70000610			FIXED PLATE	1				

AE Sewing Machines

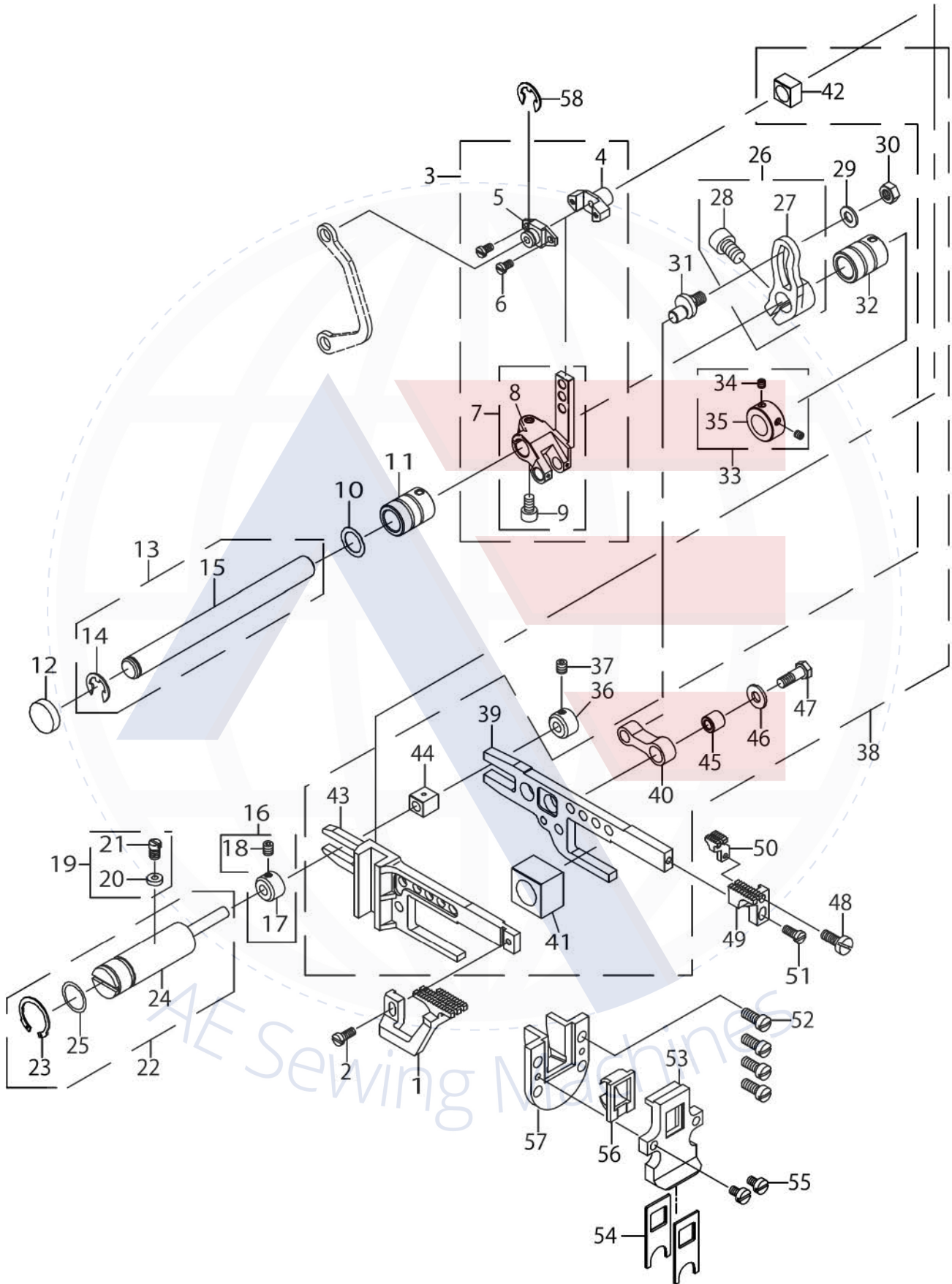
FEED MECHANISM COMPONENTS (1)



FEED MECHANISM COMPONENTS (1)

No.	C- ons	Le- vel	Parts No.	Replacement	Supply Code	Parts name	Qty	R- ep. Q- TY	Status	Spec	Remarks
1			40159707			FEED DOG SEAT COMB.	1				
2		*	70000140			O-RING	1				
3		*	70000344			GASKET	2				
4		*	70000345			WASHER	1				
5		*	70000349			WASHER	2				
6		*	70000372			FIXED BLOCK	2				
7		*	70000373			ADJUSTING SEAT	1				
8		*	70000379			ADJUSTING PLATE	1				
9		*	70000450			NUT	1				
10		*	70000495			SCREW	1				
11		*	70000542			E_SCREW	1				
12		*	70000601			SPRING	1				
13		*	70000512			E_SCREW	2				
14		*	70000131			E_CIRCLIPS	1				
15		*	70000353			WASHER	1				
16		*	40159702			SPACER	2				
17		*	40159703			ADJUSTING SCREW	1				
18		*	40159704			SPRING	1				
19		*	40159705			BLOCK	1				
20		*	40159706			FEED DOG SEAT	1				
21			70000523			E_SCREW	2				
22			70000370			DIFFERENTIAL CONNECTI	1				
23		*	70000369			DIFFERENTIAL CONNECTI	1				
24		*	70000590			M_SCREW	1				
25			40159700			BUSHING	1				
26			70000552			E_SCREW	1				
27			40159701			CONNECTING ROD	1				
28			70000276			ADJUSTING WHEEL	1				
29		*	70000275			ADJUSTING WHEEL	1				
30		*	70000582			M_SCREW	2				
31		*	70000666			PIN	1				
32			40159709			CONNECTING ROD COMB.	1				
33		*	70000162			SPRING PLATE	1				
34		*	70000277			CONNECTING ROD	1				
35		*	70000602			SPRING	1				
36		*	70000662			PIN	1				
37		*	70000698			BEARING	1				
38		*	40159629			M_SCREW	1				
39		*	70000503			E_SCREW	1				
40		*	70000282			ECCENTRIC	1				
41		*	70000665			PIN	2				
42		*	70000289			ECCENTRIC	1				
43		*	70000288			ECCENTRIC	1				
44		*	70000502			E_SCREW	2				
45		*	70000741			ADJUSTING WHEEL COMB	1				
46		*	70000740			ADJUSTING WHEEL	1				
47		*	70000583			M_SCREW	1				
48		*	70000738		Disconinue	SLIDE BLOCK	1				
49		*	70000739			ADJUSTING WHEEL	1				
50		*	70000582			M_SCREW	1				
51		*	70000694		Disconinue	BEARING	1				
52			70000284			SHAFT COMB.	1				
53		*	70000137			O-RING	1				
54		*	70000286			SHAFT	1				
55		*	70000283			SHAFT	1				
56		*	70000131			E_CIRCLIPS	1				
57		*	70000358			WASHER	1				
58		*	70000600			SPRING	1				

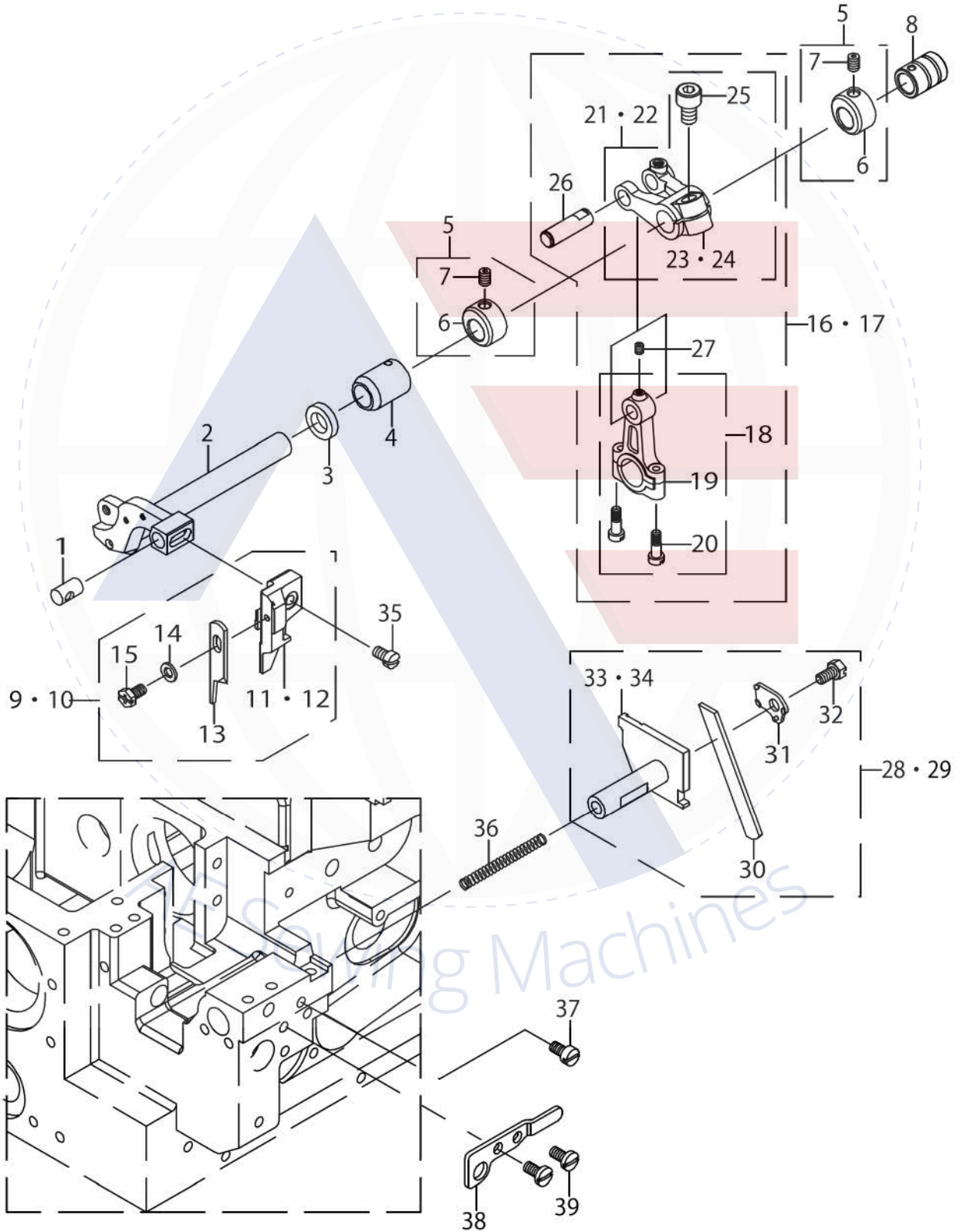
FEED MECHANISM COMPONENTS (2)



FEED MECHANISM COMPONENTS (2)

No.	C- ons	Le- vel	Parts No.	Replacement	Supply Code	Parts name	Qty	R- ep. Q- TY	Status	Spec	Remarks
1			*****			FEED DOG	1				REFER *MO-680
2			70000509			E_SCREW	1				
3			70000683			CRANK COMB.	1				
4		*	70000374			ROCKING SEAT	1				
5		*	70000375			ROCKING SEAT	1				
6		*	70000558			E_SCREW	2				
7		*	70000684			CRANK	1				
8		*	70000681			CRANK	1				
9		*	70000590			M_SCREW	1				
10			70000361			WASHER	1				
11			70000280			BUSHING	1				
12			70000446			OIL SEAL	1				
13			40159717			ECCENTRIC SHAFT COMB	1				
14		*	70000133			E_CIRCLIPS	1				
15		*	40159716			ECCENTRIC SHAFT	1				
16			70000435			COLLAR	1				
17		*	70000433		Disconinue	COLLAR	1				
18		*	70000522			E_SCREW	1				
19			70000147			OIL SEAL COMB.	1				
20		*	70000138			OIL SEAL	1				
21		*	70000548			E_SCREW	1				
22			70000734			ECCENTRIC SHAFT	1				
23		*	70000135			E_CIRCLIPS	1				
24		*	70000733			ECCENTRIC SHAFT	1				
25		*	70000141			O-RING	1				
26			70000685			CRANK	1				
27		*	70000682			CRANK	1				
28		*	70000590			M_SCREW	1				
29			70000356			WASHER	1				
30			70000458			NUT	1				
31			70000688			ADJUSTING SHAFT	1				
32			70000410			BUSHING	1				
33			40159676			COLLAR	1				
34		*	70000522			E_SCREW	2				
35		*	40159715			COLLAR	1				
36			70000433		Disconinue	COLLAR	1				
37			70000522			E_SCREW	1				
38			70000731			FEED DOG SEAT COMB.	1				
39		*	70000422			FEED DOG SEAT	1				
40		*	70000423			CONNECTING ROD	1				
41		*	70000429		70000731	SLIDE BLOCK	1	1.00			
42		*	70000686		70000731	SLIDE BLOCK	1	1.00			
43		*	70000689		70000731	FEED DOG SEAT	1	1.00			
44		*	70000732			SLIDE BLOCK	1				
45		*	70000317			BUSHING	1				
46		*	70000346			GASKET	1				
47		*	70000514			E_SCREW	1				
48			70000572			M_SCREW	1				
49			*****			FEED DOG	1				REFER *MO-680
50			*****			FEED DOG	1				REFER *MO-680
51			70000509			E_SCREW	1				
52			70000530			E_SCREW	4				
53			70000151			OIL SCRAPER HOLDER	1				
54			70000152			OIL SEAL	2				
55			70000508			E_SCREW	2				
56			40159718			OIL SEAL	1				
57			40159719			SLIDE BLOCK	1				
58			70000132			E_CIRCLIPS	1				

MODEL	04S/14S	16S/43S
PARTS NO	23	24
	21	22
	16	17
	11	12
	9	10
	33	34
	28	29

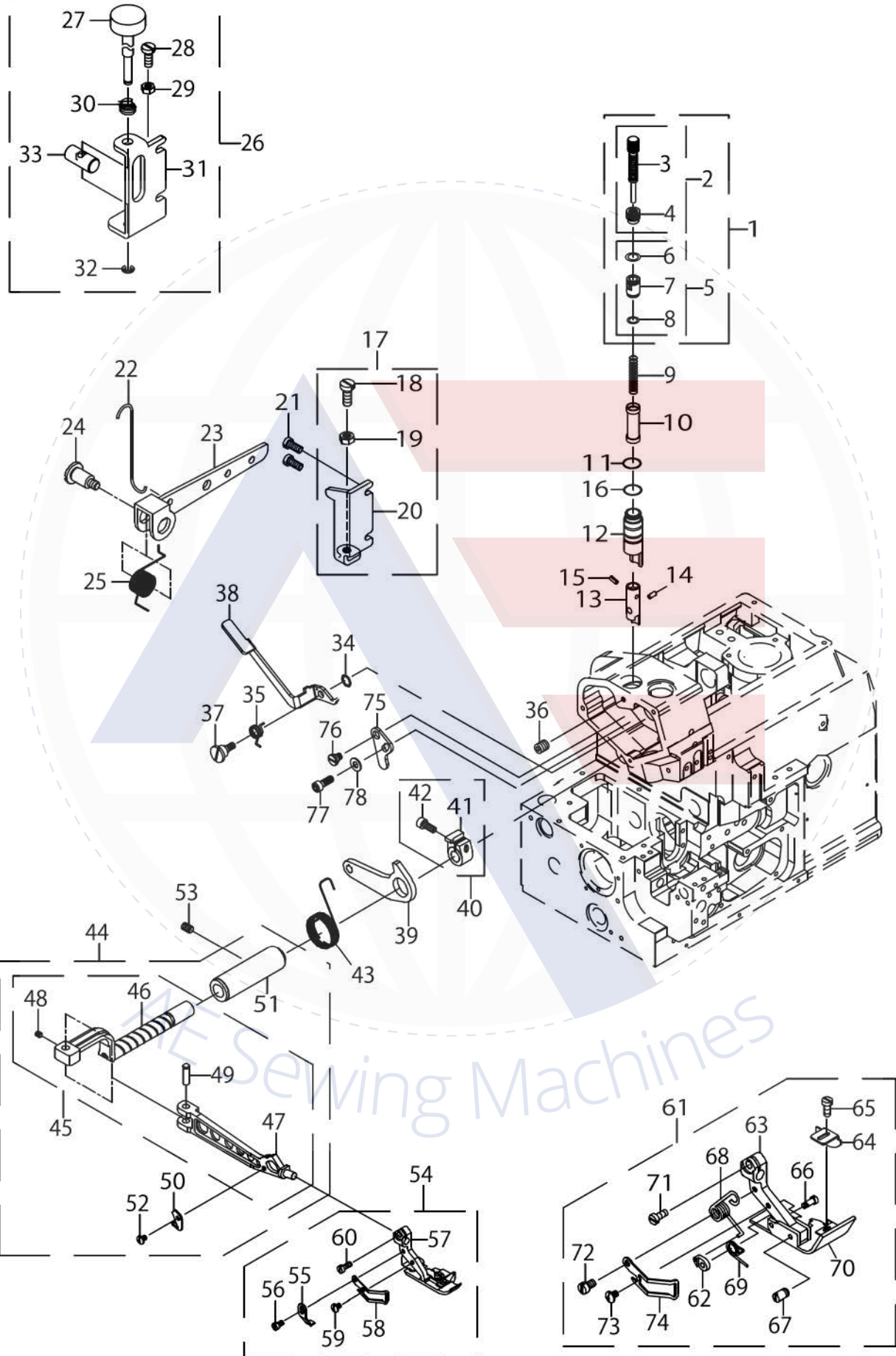


KNIFE COMPONENTS

No.	C- ons	Le- vel	Parts No.	Replacement	Supply Code	Parts name	Qty	R- ep. Q- TY	Status	Spec	Remarks
1			70000230			SHAFT	1				
2			70000235			SWING AXLE	1				
3			70000269			OIL SEAL	1				
4			70000237			BUSHING	1				
5			70000436			COLLAR	2				
6		*	70000434			COLLAR	2				
7		*	70000522			E_SCREW	2				
8			70000236			BUSHING	1				
9			40178003			KNIFE SEAT COMB.	1				FOR 04S,14S
10			40159734			KNIFE SEAT COMB	1				FOR 16S,43S
11		*	40172528			KNIFE SEAT	1				FOR 04S,14S
12		*	40172529			KNIFE SEAT	1				FOR 16S,43S
13		*	70000229			KNIFE	1				
14		*	70000347			GASKET	1				
15		*	70000510			E_SCREW	1				
16			40159729			CONNECTING ROD	1				FOR 04S,14S
17			40159732			CONNECTING ROD	1				FOR 16S,43S
18		*	40159728	Disconinue		CONNECTING ROD	1				
19		*	40159727			CONNECTING ROD	1				
20		*	70000578			M_SCREW	2				
21		*	70000721			ROCKING BAR	1				FOR 04S,14S
22		*	70000842			ROCKING BAR COMB.	1				FOR 16S,43S
23		*	70000720			ROCKING BAR	1				FOR 04S,14S
24		*	70000841			ROCKING BAR	1				FOR 16S,43S
25		*	70000590			M_SCREW	1				
26		*	40159726			PIN	1				
27		*	70000522			E_SCREW	1				
28			70000402			KNIFE SEAT COMB.	1				FOR 04S,14S
29			70000845			KNIFE SEAT COMB.	1				FOR 16S,43S
30		*	70000399			KNIFE	1				
31		*	70000400			FIXED PLATE	1				
32		*	70000517			E_SCREW	1				
33		*	70000403			KNIFE SEAT	1				FOR 04S,14S
34		*	70000813			KNIFE SEAT	1				FOR 16S,43S
35			70000521			E_SCREW	1				
36			70000603			SPRING	1				
37			70000524			E_SCREW	1				
38			70000401			FIXED PLATE	1				
39			70000515			E_SCREW	2				

AE Sewing Machines

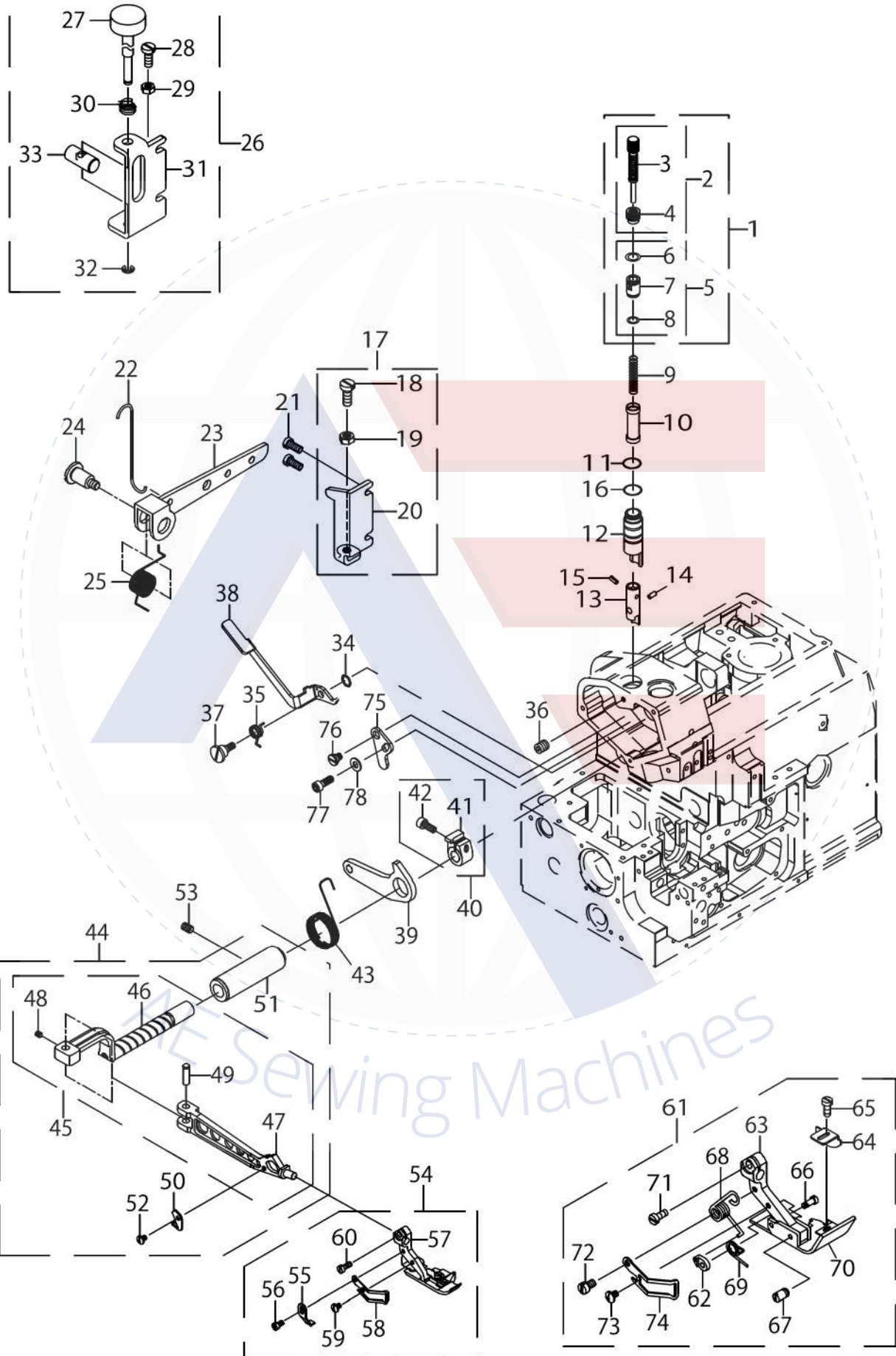
PRESSER FOOT COMPONENTS



PRESSER FOOT COMPONENTS

No.	C- ons	Le- vel	Parts No.	Replacement	Supply Code	Parts name	Qty	R- ep. Q- TY	Status	Spec	Remarks
1			40159745			SCREW ROD COMB.	1				
2		*	40159746			SCREW ROD COMB.	1				
3		*	40159741			SCREW ROD	1				
4		*	40159742		Discontinue	NUT	1				
5		*	40159744			FIXED BUTTON	1				
6		*	70000141			O-RING	1				
7		*	40159743			FIXED BUTTON	1				
8		*	70000142			O-RING	1				
9			70000608			SPRING	1				
10			40159753			THIMBLE	1				
11			70000142			O-RING	1				
12			40170670			PRESSER FOOT ARM	1				
13			70000309			SLIDER	1				
14			70000664			SHAFT	1				
15			70000669			PIN	1				
16			70000141			O-RING	1				
17			70000293			SUPPORTER	1				
18		*	70000584			M_SCREW	1				
19		*	70000458			NUT	1				
20		*	70000292			STOPPER	1				
21			70000515			E_SCREW	2				
22			70000294			HOOK BAR	1				
23			70000295			PRESSER FOOT ARM	1				
24			70000592			M_SCREW	1				
25			70000604			SPRING	1				
26			40159749			SUPPORTER	1				OPTIONAL PAR
27		*	40159703			ADJUSTING SCREW	1				
28		*	70000584			M_SCREW	1				
29		*	70000458			NUT	1				
30		*	40159704			SPRING	1				
31		*	40159748			STOPPER	1				
32		*	70000131			E_CIRCLIPS	1				
33		*	40159750			BLOCK	1				
34			70000355			WASHER	1				
35			40159754			SPRING	1				
36			70000522			E_SCREW	1				
37			70000528			E_SCREW	1				
38			40159752			LEVER	1				
39			70000291			DRAG LINK	1				
40			70000302			COLLAR	1				
41		*	70000301			COLLAR	1				
42		*	40159751			M_SCREW	1				
43			70000605			SPRING	1				
44			40178006			PRESSER FOOT SEAT COM	1				
45		*	40178007			PRESSER BAR COMB.	1				
46		*	40172530			PRESSER FOOT LIFTING L	1				
47		*	70000297			PRESSER FOOT ARM	1				
48		*	70000566			M_SCREW	1				
49		*	70000673			SHAFT	1				
50		*	70000176			KNIFE	1				
51		*	70000303			BUSHING	1				
52		*	70000538			E_SCREW	1				
53			70000522			E_SCREW	1				
54			*****			PRESSER FOOT	1				REFER "MO-680
55		*	70000304			FIXED PLATE	1				
56		*	70000500			E_SCREW	1				
57		*	*****			PRESSER FOOT	1				REFER "MO-680
58		*	70000735			FINGER GUARD	1				
59		*	70000538			E_SCREW	1				
60		*	70000505			E_SCREW	1				

PRESSER FOOT COMPONENTS

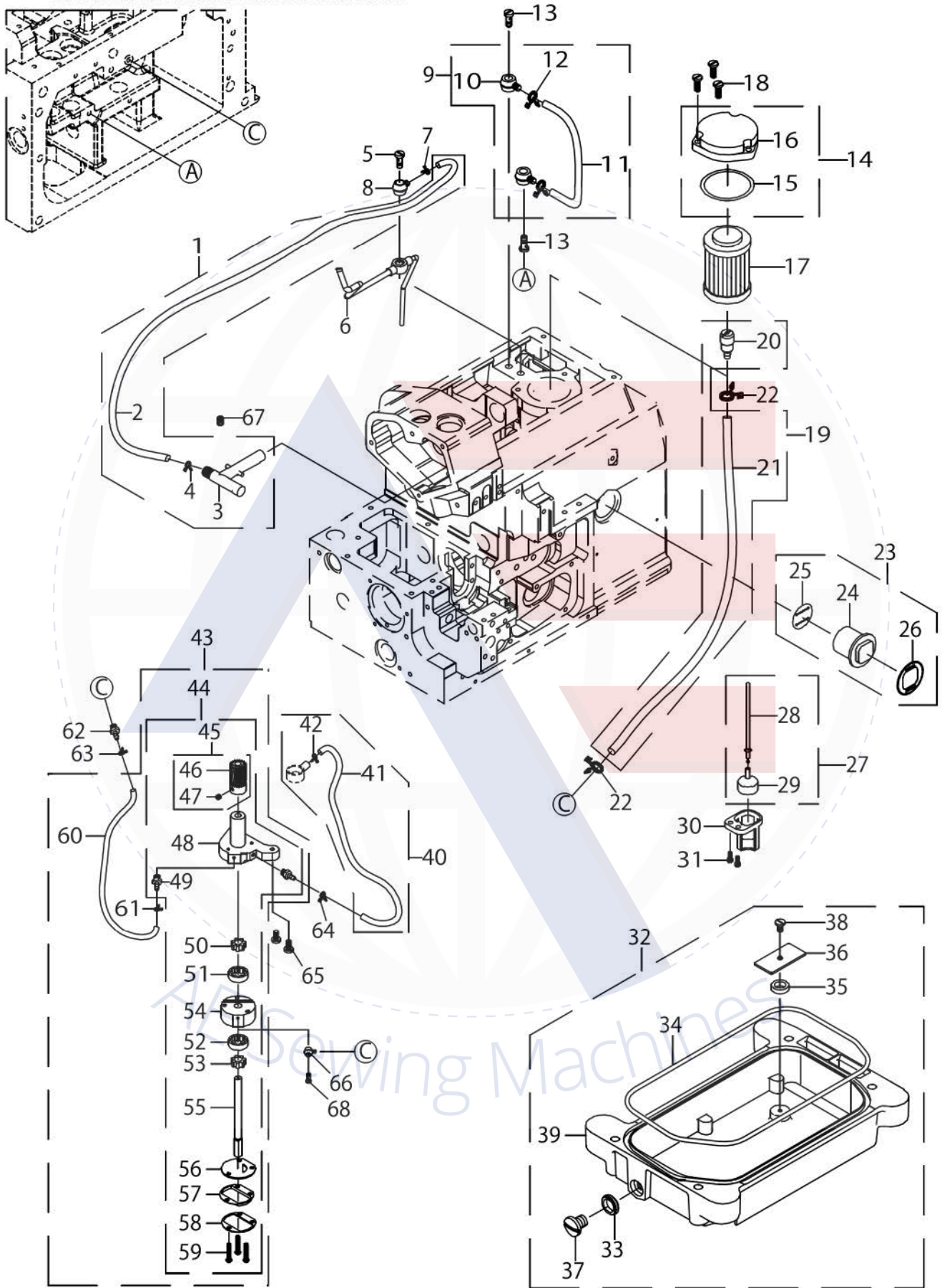


PRESSER FOOT COMPONENTS

No.	C- ons	Le- vel	Parts No.	Replacement	Supply Code	Parts name	Qty	R- ep. Q- TY	Status	Spec	Remarks
61			*****			PRESSER FOOT	1				REFER *MO-680
62		*	70000419			LEVER	1				
63		*	70000420			PRESSER FOOT LIFTING L	1				
64		*	70000480			THREAD GUIDE PLATE	1				
65		*	70000496			E_SCREW	1				
66		*	70000499			E_SCREW	1				
67		*	70000537			E_SCREW	1				
68		*	70000606			SPRING	1				
69		*	70000609			SPRING	1				
70		*	*****			PRESSER FOOT	1				REFER *MO-680
71		*	70000505			E_SCREW	1				
72		*	70000500			E_SCREW	1				
73		*	70000538			E_SCREW	1				
74		*	70000735			FINGER GUARD	1				
75			40172531			PRESSER ARM STOPPER	1				
76			40178005			E_SCREW	1				
77			70000561			E_SCREW	1				
78			70000349			WASHER	1				

AE Sewing Machines

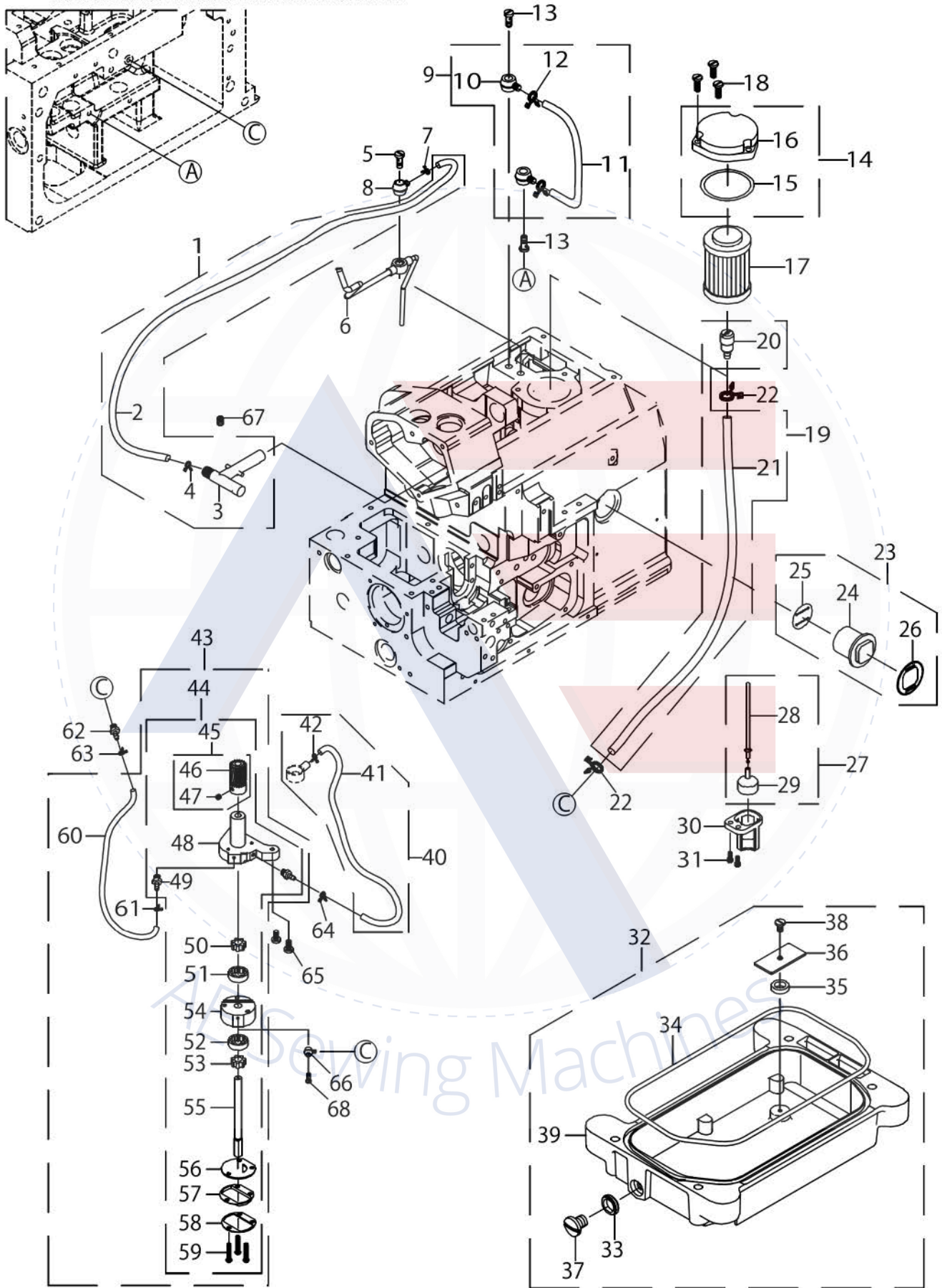
LUBRICATION MECHANISM COMPONENTS



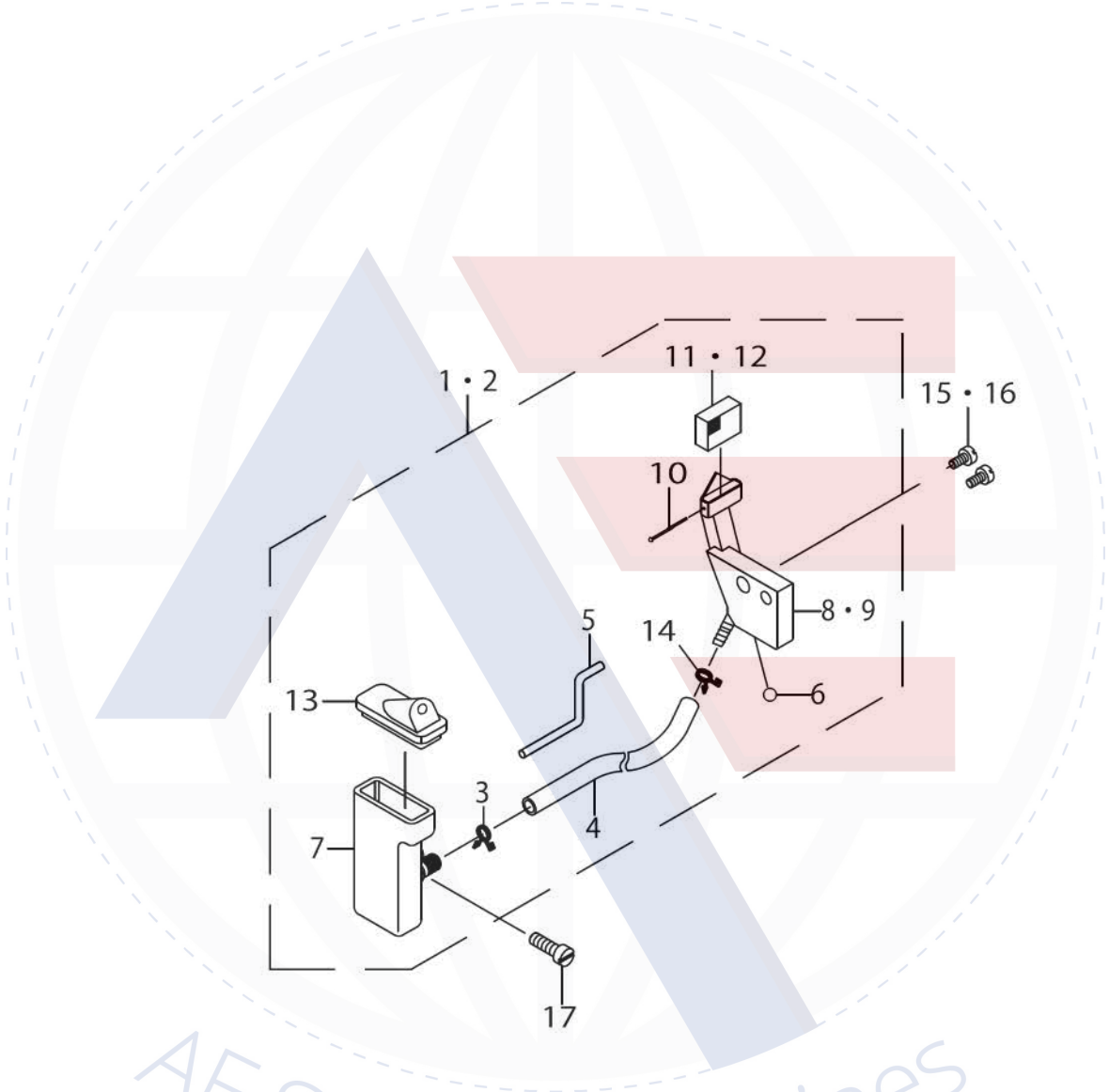
LUBRICATION MECHANISM COMPONENTS

No.	C- ons	Le- vel	Parts No.	Replacement	Supply Code	Parts name	Qty	R- ep. Q- TY	Status	Spec	Remarks
1			70000327			OIL TUBU GROUP	1				
2		*	70000326			HOSE	1				
3		*	70000631			OIL TUBE	1				
4		*	70000658			SPRING CLAMP	1				
5			70000534			E_SCREW	1				
6			70000693			COPPER TUBE	1				
7			70000658			SPRING CLAMP	1				
8			40159760			JOINT	1				
9			70000329			HOSE COMB.	1				
10		*	70000323			JOINT	2				
11		*	70000325			HOSE	1				
12		*	70000658			SPRING CLAMP	2				
13			70000532			E_SCREW	2				
14			70000675			OIL FILTER	1				
15		*	70000144			O-RING	1				
16		*	70000674			OIL FILTER COVER	1				
17			70000312			OIL FILTER	1				
18			70000520			E_SCREW	3				
19			70000328			OIL TUBE COMB	1				
20		*	70000428			JOINT	1				
21		*	70000326			HOSE	1				
22			70000658			SPRING CLAMP	2				
23			40159762			OIL LEVEL INSPECTION LI	1				
24		*	70000157			OIL LEVEL INSPECTION LI	1				
25		*	70000158			NAME PLATE	1				
26		*	40159761			NAME PLATE	1				
27			70000160			OIL INDICATOR ROD COM	1				
28		*	70000159			OIL INDICATOR ROD	1				
29		*	70000261			OIL INDICATOR	1				
30			70000262			BAFFLE	1				
31			70000521			E_SCREW	2				
32			40159764			OIL RESERVOIR COMB.	1				
33		*	70000146			OIL SEAL	1				
34		*	70000273			O-RING	1				
35		*	70000381			MAGNET	1				
36		*	70000382			BAFFLE	1				
37		*	70000533			E_SCREW	1				
38		*	70000518			E_SCREW	1				
39		*	40159763			OIL RESERVOIR COMB.	1				
40			70000267			HOSE COMB.	1				
41		*	70000318			HOSE	1				
42		*	70000657			SPRING CLAMP	1				
43			70000716			PUMP COMB.	1				
44		*	70000715			PUMP COMB.	1				
45		*	70000260			GEAR	1				
46		*	70000258			WORM WHEEL	1				
47		*	70000582			M_SCREW	1				
48		*	70000713			PUMP BODY	1				
49		*	70000322			JOINT	2				
50		*	40159765			GEAR	1				
51		*	70000148			GEAR	1				
52		*	70000148			GEAR	1				
53		*	40159765			GEAR	1				
54		*	70000714			PUMP BODY	1				
55		*	70000712			SHAFT	1				
56		*	70000717			PUMP COVER	1				
57		*	70000710			FILTER NET	1				
58		*	70000711			GASKET	1				
59		*	70000575			M_SCREW	3				
60		*	70000324			HOSE	1				

LUBRICATION MECHANISM COMPONENTS



MODEL	04S/14S	16S/43S
PARTS NO	11	12
	8	9
	1	2
	15	16



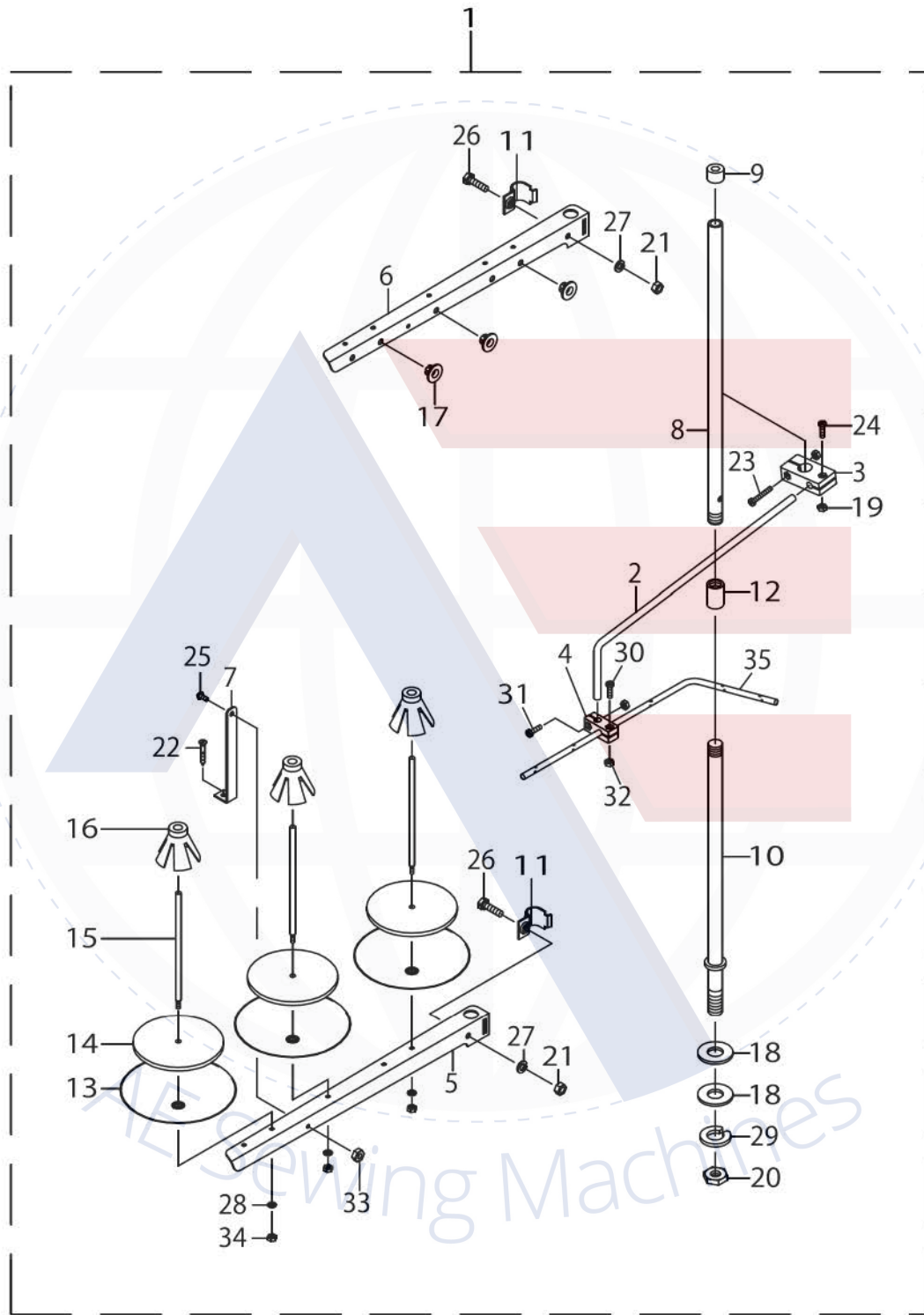
AE Sewing Machines

NEEDLE COOLER UNIT COMPONENTS

No.	C- ons	Le- vel	Parts No.	Replacement	Supply Code	Parts name	Qty	R- ep. Q- TY	Status	Spec	Remarks
1			40159772			OILER	1				FOR 04S,14S
2			40159775			OILER	1				FOR 16S,43S
3		*	70000658			SPRING CLAMP	1				
4		*	40159768			HOSE	1				
5		*	40159769			OIL WICK	1				
6		*	40159770			BALL	1				
7		*	40159771			OILER	1				
8		*	40159776			DIVIDING SEAT	1				FOR 04S,14S
9		*	40159774			DIVIDING SEAT	1				FOR 16S,43S
10		*	40159778			NAIL	1				
11		*	40159777			OIL FELT	1				FOR 04S,14S
12		*	40159773			OIL FELT	1				FOR 16S,43S
13		*	40159779			OILER COVER	1				
14		*	70000658			SPRING CLAMP	1				
15			70000526			E_SCREW	1				FOR 04S,14S
16			70001060			E_SCREW	2				FOR 16S,43S
17			70000518			E_SCREW	1				

AE Sewing Machines

THREAD STAND COMPONENTS (FOR MO-6804S)

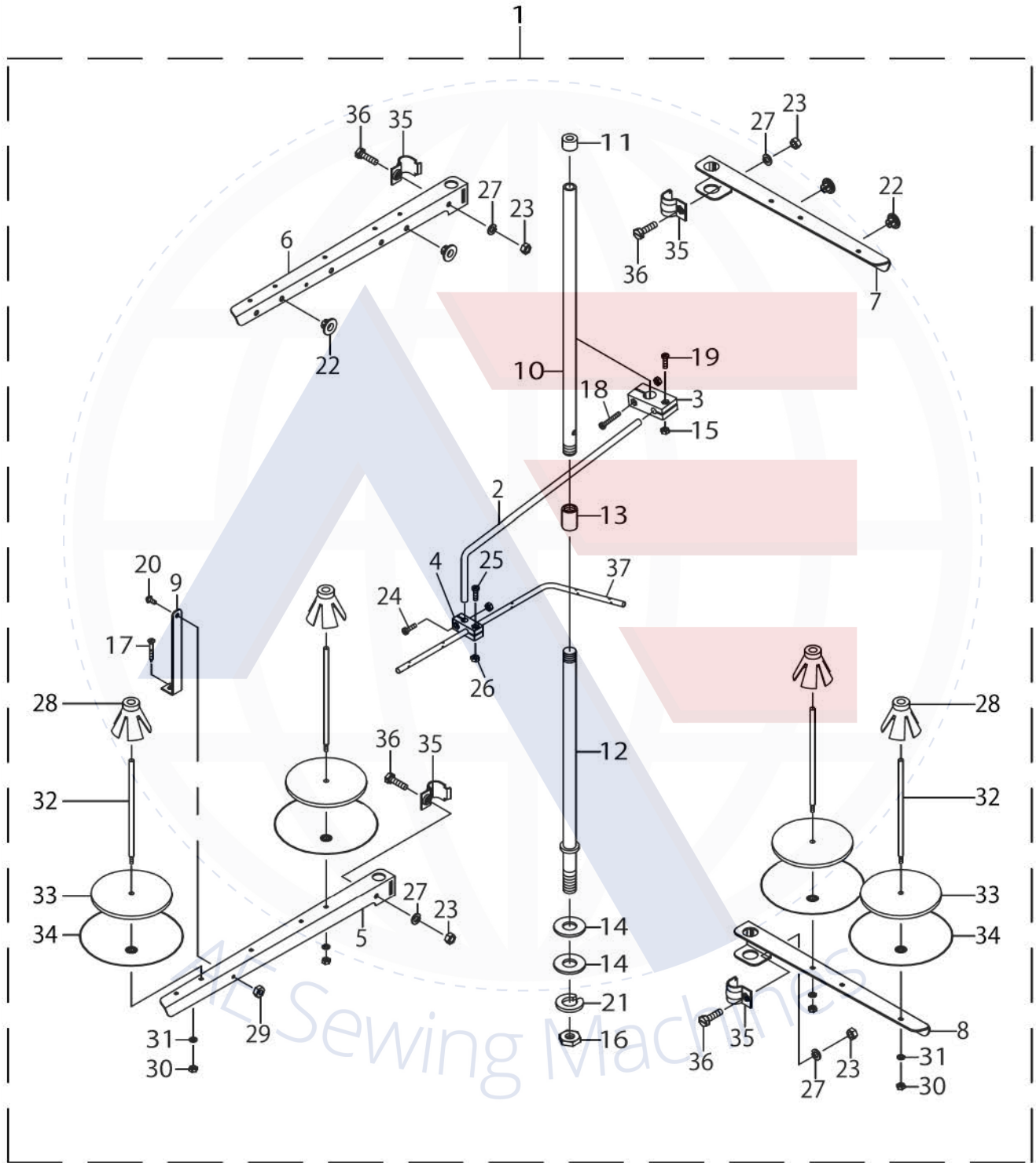


THREAD STAND COMPONENTS (FOR MO-6804S)

No.	C- ons	Le- vel	Parts No.	Replacement	Supply Code	Parts name	Qty	R- ep. Q- TY	Status	Spec	Remarks
1			40179483			THREAD STAND COMB.	1				
2		*	70000179			THREAD GUIDE BAR	1				
3		*	70000180			FIXED SEAT	1				
4		*	70000181			FIXED SEAT	1				
5		*	70000182			THREAD GUIDE BAR	1				
6		*	70000183			THREAD GUIDE BAR	1				
7		*	70000186			SUPPORTER	1				
8		*	70000188			THREAD STAND ROD	1				
9		*	70000189			THREAD STAND COVER	1				
10		*	70000190			THREAD STAND ROD	1				
11		*	70000191			FIXED PLATE	2				
12		*	70000192			CONNECTING LOOP	1				
13		*	70000215			COILING SEAT	3				
14		*	70000216			SPONGY CUSHION	3				
15		*	70000217			CONNECTING LOOP	3				
16		*	70000218			THREAD STEADY BALL SE	3				
17		*	70000219			PLUG	3				
18		*	70000354			WASHER	2				
19		*	70000454			NUT	2				
20		*	70000455			NUT	1				
21		*	70000456			NUT	2				
22		*	70000547			E_SCREW	1				
23		*	70000579			M_SCREW	1				
24		*	70000580			M_SCREW	1				
25		*	70000581			M_SCREW	1				
26		*	70000589			M_SCREW	2				
27		*	70000611			WASHER	2				
28		*	70000615			WASHER	3				
29		*	70000618			WASHER	1				
30		*	70000580			M_SCREW	1				
31		*	70000580			M_SCREW	1				
32		*	70000454			NUT	2				
33		*	70000454			NUT	1				
34		*	70000454			NUT	3				
35		*	70000178			THREAD GUIDE PLATE	1				

AE Sewing Machines

THREAD STAND COMPONENTS (FOR MO-6814S)

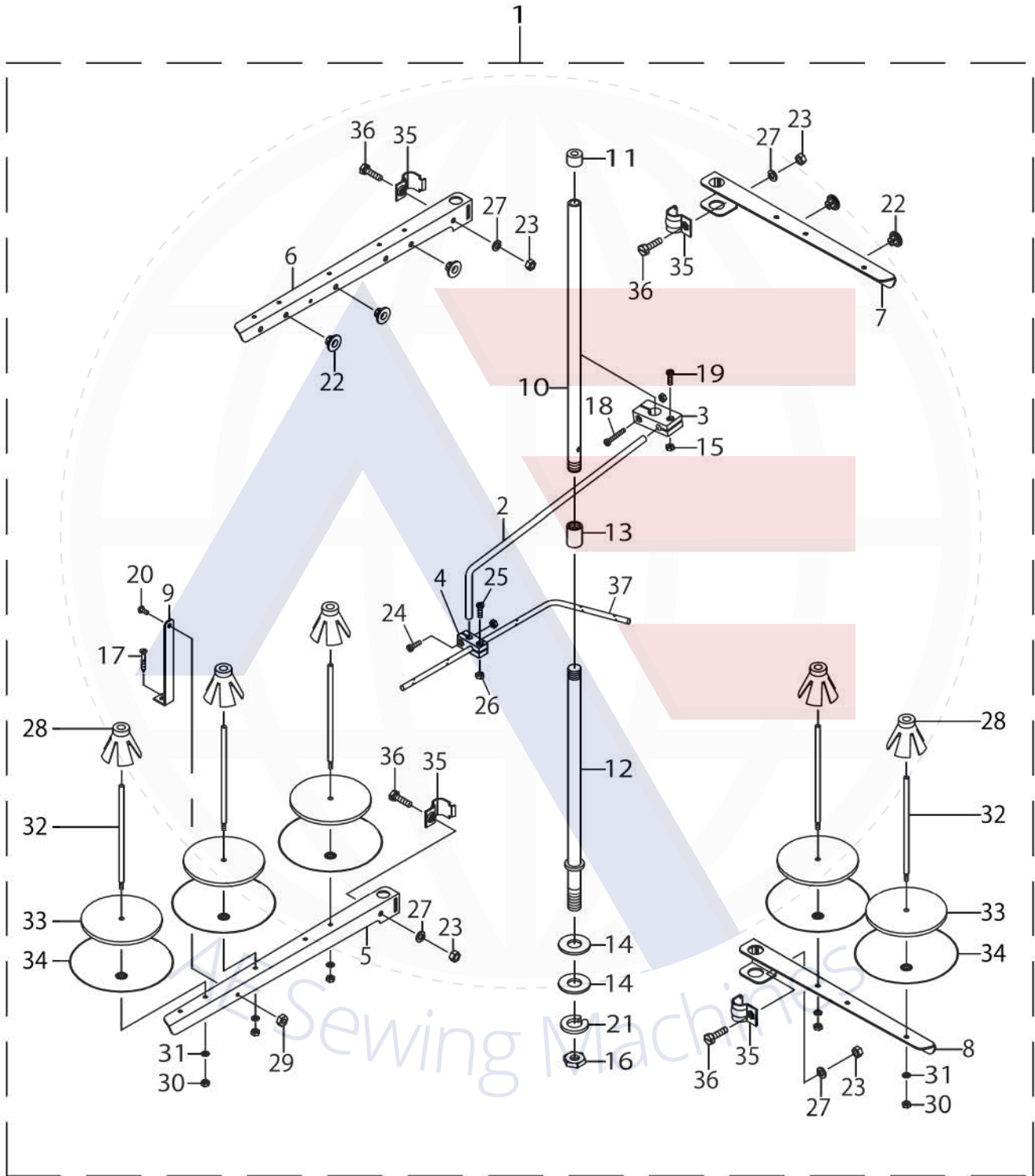


THREAD STAND COMPONENTS (FOR MO-6814S)

No.	C- ons	Le- vel	Parts No.	Replacement	Supply Code	Parts name	Qty	R- ep. Q- TY	Status	Spec	Remarks
1			40179484			THREAD STAND COMB.	1				
2		*	70000179			THREAD GUIDE BAR	1				
3		*	70000180			FIXED SEAT	1				
4		*	70000181			FIXED SEAT	1				
5		*	70000182			THREAD GUIDE BAR	1				
6		*	70000183			THREAD GUIDE BAR	1				
7		*	70000184			THREAD GUIDE BAR	1				
8		*	70000185			THREAD GUIDE BAR	1				
9		*	70000186			SUPPORTER	1				
10		*	70000188			THREAD STAND ROD	1				
11		*	70000189			THREAD STAND COVER	1				
12		*	70000190			THREAD STAND ROD	1				
13		*	70000192			CONNECTING LOOP	1				
14		*	70000354			WASHER	2				
15		*	70000454			NUT	2				
16		*	70000455			NUT	1				
17		*	70000547			E_SCREW	1				
18		*	70000579			M_SCREW	1				
19		*	70000580			M_SCREW	1				
20		*	70000581			M_SCREW	1				
21		*	70000618			WASHER	1				
22		*	70000219			PLUG	4				
23		*	70000456			NUT	4				
24		*	70000580			M_SCREW	1				
25		*	70000580			M_SCREW	1				
26		*	70000454			NUT	2				
27		*	70000611			WASHER	4				
28		*	70000218			THREAD STEADY BALL SE	4				
29		*	70000454			NUT	1				
30		*	70000454			NUT	4				
31		*	70000615			WASHER	4				
32		*	70000217			CONNECTING LOOP	4				
33		*	70000216			SPONGY CUSHION	4				
34		*	70000215			COILING SEAT	4				
35		*	70000191			FIXED PLATE	4				
36		*	70000589			M_SCREW	4				
37		*	70000178			THREAD GUIDE PLATE	1				

AE Sewing Machines

THREAD STAND COMPONENTS (FOR MO-6816S)



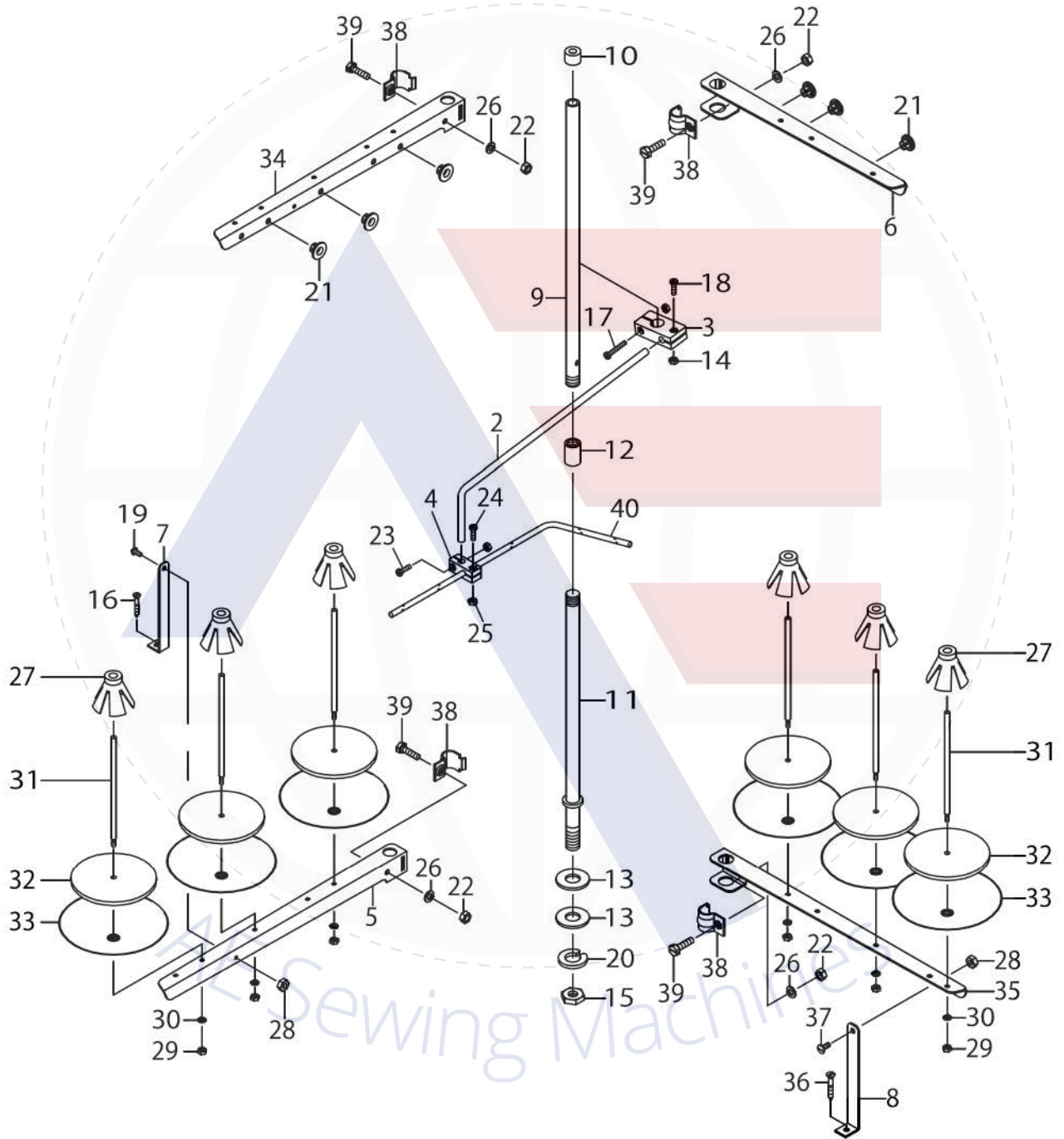
THREAD STAND COMPONENTS (FOR MO-6816S)

No.	C- ons	Le- vel	Parts No.	Replacement	Supply Code	Parts name	Qty	R- ep. Q- TY	Status	Spec	Remarks
1			40179485			THREAD STAND COMB.	1				
2		*	70000179			THREAD GUIDE BAR	1				
3		*	70000180			FIXED SEAT	1				
4		*	70000181			FIXED SEAT	1				
5		*	70000182			THREAD GUIDE BAR	1				
6		*	70000183			THREAD GUIDE BAR	1				
7		*	70000184			THREAD GUIDE BAR	1				
8		*	70000185			THREAD GUIDE BAR	1				
9		*	70000186			SUPPORTER	1				
10		*	70000188			THREAD STAND ROD	1				
11		*	70000189			THREAD STAND COVER	1				
12		*	70000190			THREAD STAND ROD	1				
13		*	70000192			CONNECTING LOOP	1				
14		*	70000354			WASHER	2				
15		*	70000454			NUT	2				
16		*	70000455			NUT	1				
17		*	70000547			E_SCREW	1				
18		*	70000579			M_SCREW	1				
19		*	70000580			M_SCREW	1				
20		*	70000581			M_SCREW	1				
21		*	70000618			WASHER	1				
22		*	70000219			PLUG	5				
23		*	70000456			NUT	4				
24		*	70000580			M_SCREW	1				
25		*	70000580			M_SCREW	1				
26		*	70000454			NUT	2				
27		*	70000611			WASHER	4				
28		*	70000218			THREAD STEADY BALL SE	5				
29		*	70000454			NUT	1				
30		*	70000454			NUT	5				
31		*	70000615			WASHER	5				
32		*	70000217			CONNECTING LOOP	5				
33		*	70000216			SPONGY CUSHION	5				
34		*	70000215			COILING SEAT	5				
35		*	70000191			FIXED PLATE	4				
36		*	70000589			M_SCREW	4				
37		*	70000177			THREAD GUIDE BAR	1				

AE Sewing Machines

THREAD STAND COMPONENTS (FOR MO-6843S)

1

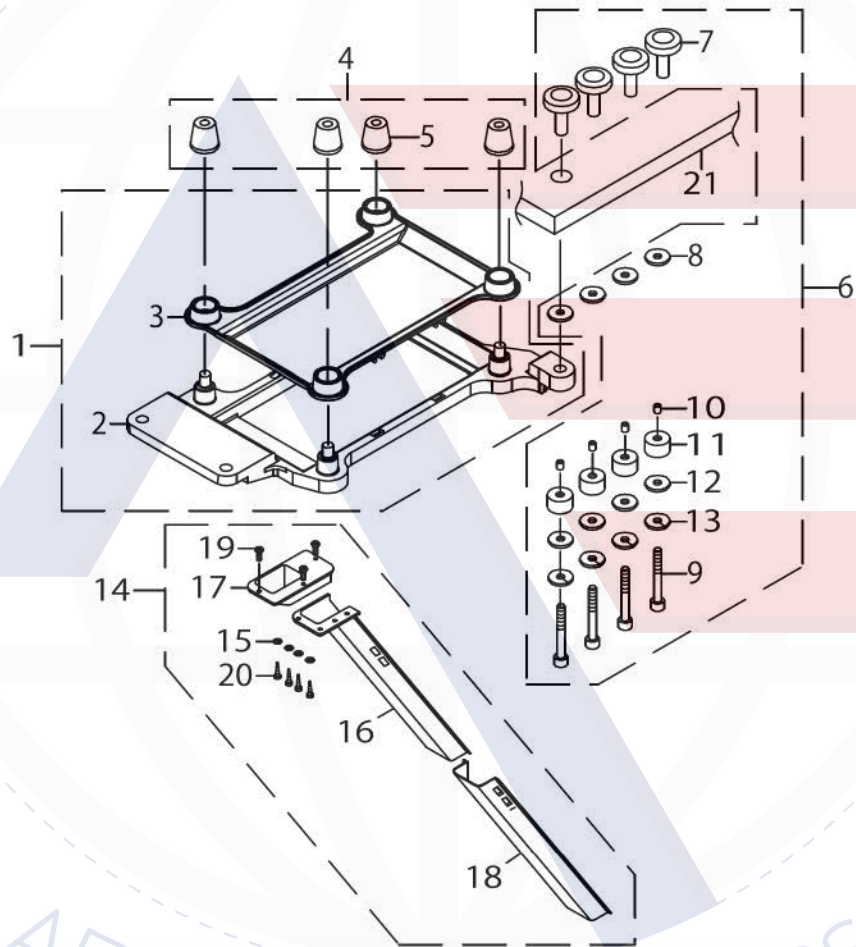


THREAD STAND COMPONENTS (FOR MO-6843S)

No.	C- ons	Le- vel	Parts No.	Replacement	Supply Code	Parts name	Qty	R- ep. Q- TY	Status	Spec	Remarks
1			40179486			THREAD STAND COMB.	1				
2		*	70000179			THREAD GUIDE BAR	1				
3		*	70000180			FIXED SEAT	1				
4		*	70000181			FIXED SEAT	1				
5		*	70000182			THREAD GUIDE BAR	1				
6		*	70000183			THREAD GUIDE BAR	1				
7		*	70000186			SUPPORTER	1				
8		*	70000187			SUPPORTER	1				
9		*	70000188			THREAD STAND ROD	1				
10		*	70000189			THREAD STAND COVER	1				
11		*	70000190			THREAD STAND ROD	1				
12		*	70000192			CONNECTING LOOP	1				
13		*	70000354			WASHER	2				
14		*	70000454			NUT	2				
15		*	70000455			NUT	1				
16		*	70000547			E_SCREW	1				
17		*	70000579			M_SCREW	1				
18		*	70000580			M_SCREW	1				
19		*	70000581			M_SCREW	1				
20		*	70000618			WASHER	1				
21		*	70000219			PLUG	6				
22		*	70000456			NUT	4				
23		*	70000580			M_SCREW	1				
24		*	70000580			M_SCREW	1				
25		*	70000454			NUT	2				
26		*	70000611			WASHER	4				
27		*	70000218			THREAD STEADY BALL SE	6				
28		*	70000454			NUT	2				
29		*	70000454			NUT	6				
30		*	70000615			WASHER	6				
31		*	70000217			CONNECTING LOOP	6				
32		*	70000216			SPONGY CUSHION	6				
33		*	70000215			COILING SEAT	6				
34		*	70000183			THREAD GUIDE BAR	1				
35		*	70000182			THREAD GUIDE BAR	1				
36		*	70000547			E_SCREW	1				
37		*	70000581			M_SCREW	1				
38		*	70000191			FIXED PLATE	4				
39		*	70000589			M_SCREW	4				
40		*	70000177			THREAD GUIDE BAR	1				

AE Sewing Machines

SEMI-SUNKEN TYPE TABLE COMPONENTS



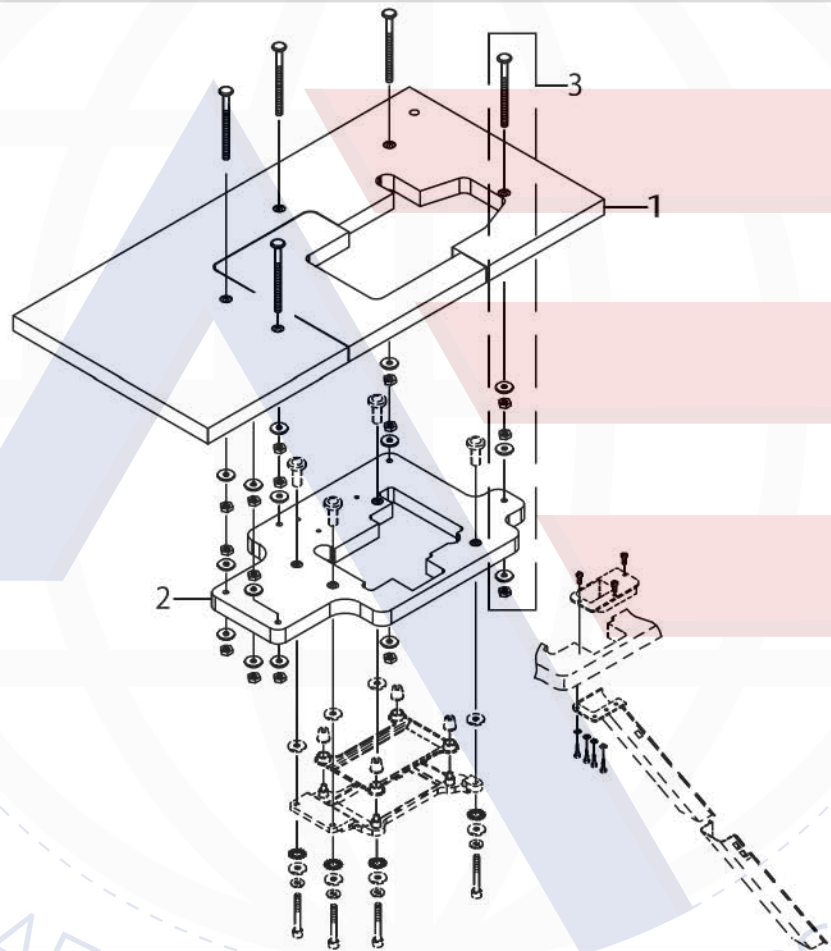
AE Sewing Machines

SEMI-SUNKEN TYPE TABLE COMPONENTS

No.	C- ons	Le- vel	Parts No.	Replacement	Supply Code	Parts name	Qty	R- ep. Q- TY	Status	Spec	Remarks
1			70000264			CHASSIS	1				
2		*	70000263			CHASSIS	1				
3		*	70000438			RUBBER PAD	1				
4			70000340			RUBBER BLOCK	1				
5		*	70000338			RUBBER BLOCK	4				
6			70000265			BOLT COMB.	1				
7		*	70000332			FIXED SHAFT	4				
8		*	70000339			RUBBER BLOCK	4				
9		*	70000707			BOLT	4				
10		*	40159780			GASKET	4				
11		*	40159781			GASKET	4				
12		*	70000348			WASHER	4				
13		*	70000617			WASHER	4				
14			70000484			WASTE FABRIC CHUTE CO	1				
15		*	70000352			WASHER	4				
16		*	70000482			WASTE FABRIC CHUTE	1				
17		*	70000483			WASTE FABRIC CHUTE	1				
18		*	70000485			WASTE FABRIC CHUTE	1				
19		*	70000540			E_SCREW	3				
20		*	70000541			E_SCREW	4				
21			70000854			TABLE	1				

AE Sewing Machines

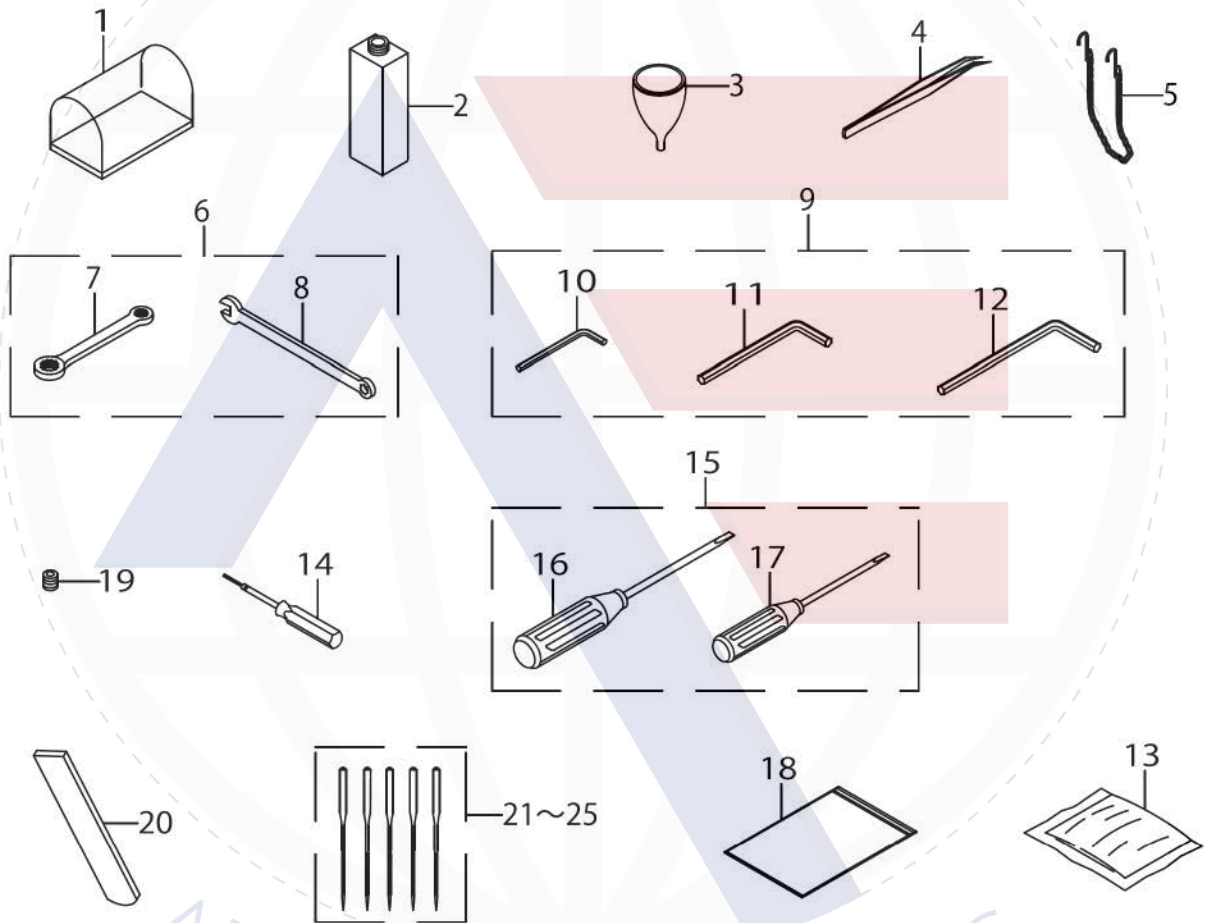
FULLY-SUNKEN TYPE TABLE COMPONENTS



FULLY-SUNKEN TYPE TABLE COMPONENTS

No.	C- ons	Le- vel	Parts No.	Replacement	Supply Code	Parts name	Qty	R- ep. Q- TY	Status	Spec	Remarks
1			70000444			TABLE	1				
2			70000706			FIXED TABLE	1				
3			70000884			BOLT ASM.	1				FIVE PARTS EN

ACCESSORIES PARTS COMPONENTS



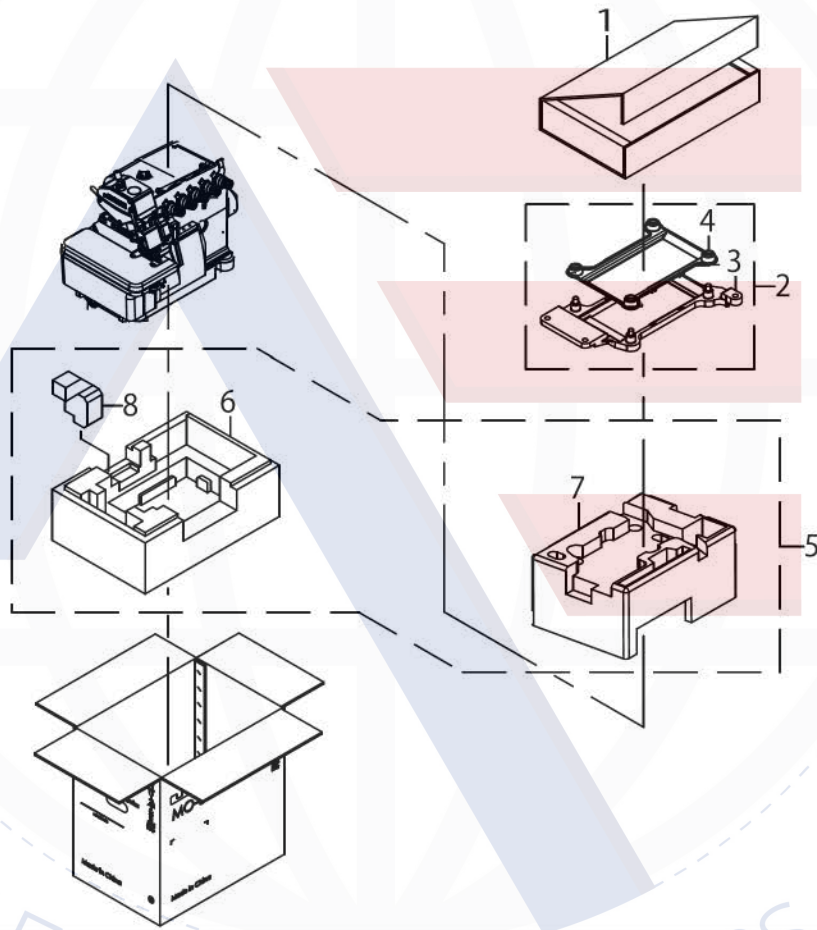
AE Sewing Machines

ACCESSORIES PARTS COMPONENTS

No.	C- ons	Le- vel	Parts No.	Replacement	Supply Code	Parts name	Qty	R- ep. Q- TY	Status	Spec	Remarks
1			40159786			HEAD COVER	1				
2			40159785		Disconinue	SEWING OIL J18(3)	1				
3			70000757			FUNNEL	1				
4			70000759			TWEEZERS	1				
5			70000760			CHAIN	1				
6			40159796			SPANNER COMB.	1				
7		*	40159794			RING SPANNER	1				
8		*	40159795			SPANNER	1				
9			40159793			HEXAGONAL ROD SPANNE	1				
10		*	40159789			HEXAGONAL ROD SPANNE	1				
11		*	40159790			HEXAGONAL ROD SPANNE	1				
12		*	40159791			HEXAGONAL ROD SPANNE	1				
13			70000763			DESICCATIVE	1				
14			70000758			HEXAGON SCREWDRIVER	1				
15			40159792			SCREW DRIVER COMB.	1				
16		*	40159787			SCREW DRIVER	1				
17		*	40159788			SCREW DRIVER	1				
18			70000761			TOOL BAG	1				
19			70000498			E_SCREW	1				
20			70000399			KNIFE	1				
21			MDC270B1100			NEEDLE DCX27 #11	5				
22			MDC270B0800			NEEDLE DCX27 #8	5				FOR 04S-150
23			MDC270B0900			NEEDLE DCX27 #9	5				FOR 14S-24H
24			MDC270B1400			NEEDLE DCX27 #14	5				FOR 14S-44H,4
25			MDC270B1600			NEEDLE DCX27 #16	5				FOR 16S-50H

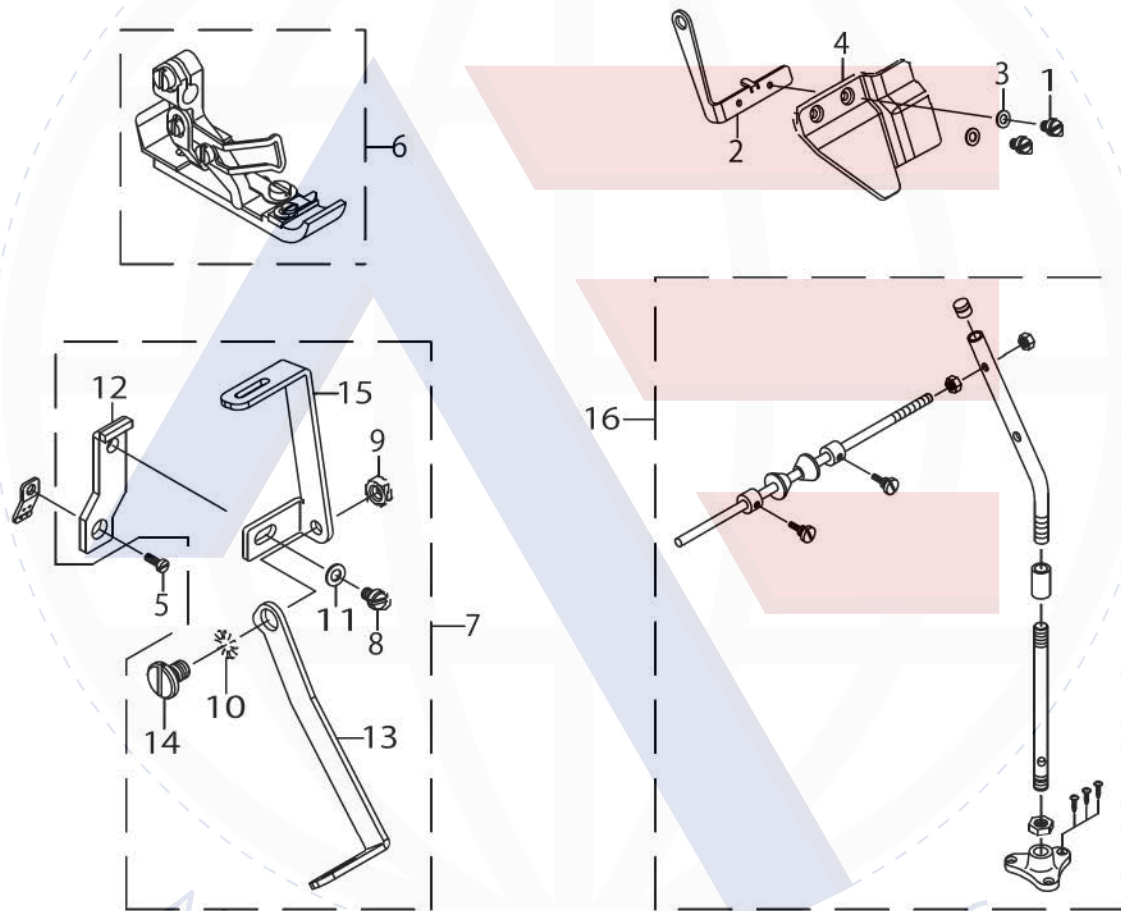
AE Sewing Machines

PACKING COMPONENTS



AE Sewing Machines

TAPE INSERTION COMPONENTS

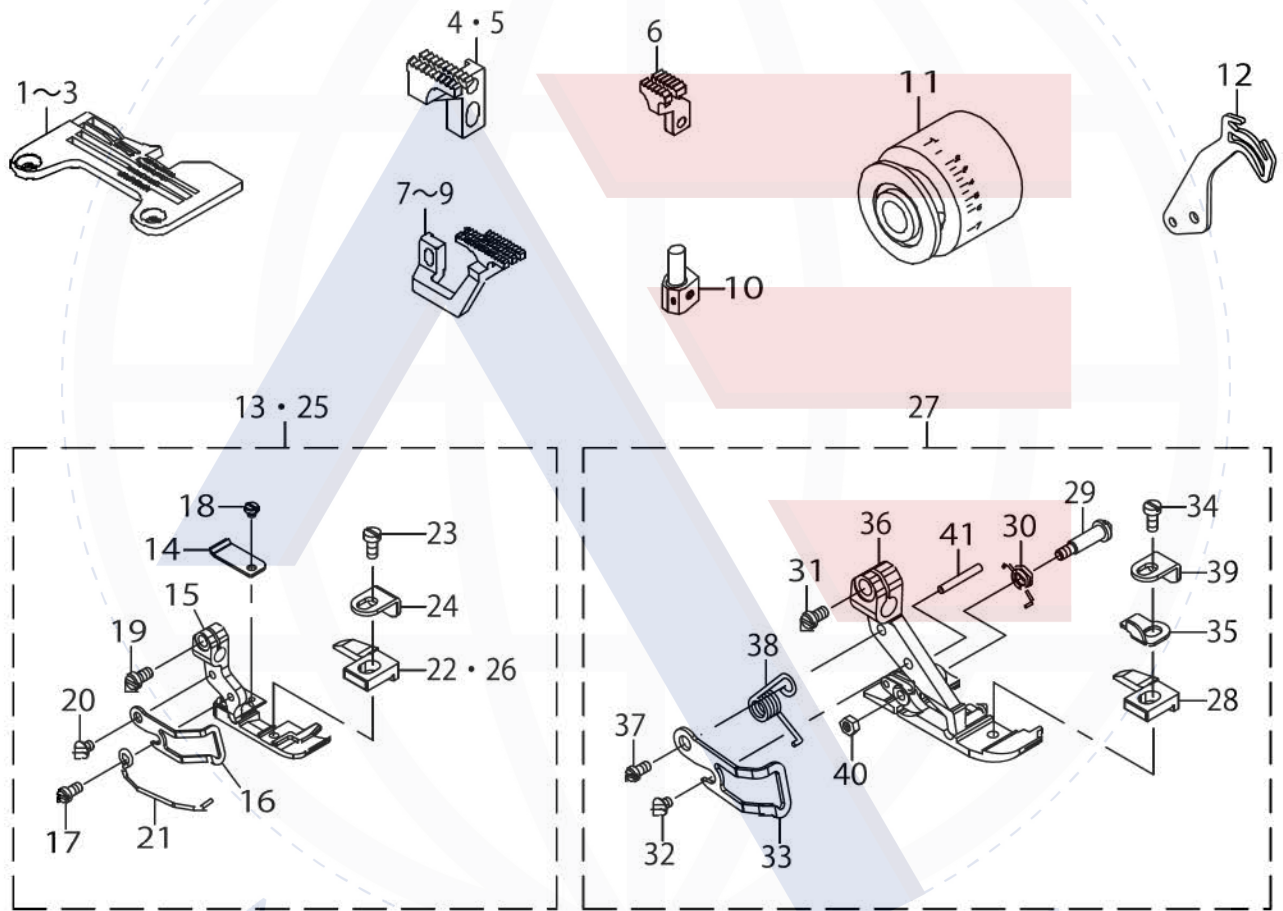


TAPE INSERTION COMPONENTS

No.	C- ons	Le- vel	Parts No.	Replacement	Supply Code	Parts name	Qty	R- ep. Q- TY	Status	Spec	Remarks
1			70000908			M_SCREW	2				
2			40159574			SAFETY PLATE BRACKET	1				
3			40159576			WASHER	2				
4			40159810			SAFETY PLATE	1				
5			70000549			E_SCREW	1				
6			40159817			PRESSER FOOT	1				
7			40159815			TAPE GUIDE COMB.	1				
8	*		70000908			M_SCREW	1				
9	*		70000452			NUT	1				
10	*		70000359			WASHER	1				
11	*		40159576			WASHER	1				
12	*		40159811			TAPE GUIDE	1				
13	*		40159813			TAPE GUIDE	1				
14	*		40159814			E_SCREW	1				
15	*		40159812			TAPE GUIDE	1				
16			70000098			TAPE HOLDER	1				OPTIONAL PAR

AE Sewing Machines

30P COMPONENTS







AE Sewing Machines





30P COMPONENTS

No.	C- ons	Le- vel	Parts No.	Replacement	Supply Code	Parts name	Qty	R- ep. Q- TY	Status	Spec	Remarks
1			40164048			THROAT PLATE	1				FOR 14S-BE6-3
2			40164047			THROAT PLATE	1				FOR 14S-BB6-3
3			40164049			THROAT PLATE	1				FOR 16S-DE4-3
4			40164050			FEED DOG	1				FOR 14S-BE6-3
5			40164052			FEED DOG	1				FOR 16S-DE4-3
6			40164051			FEED DOG	1				FOR 14S-BE6-3
7			40164044			FEED DOG	1				FOR 14S-BE6-3
8			40164046			FEED DOG	1				FOR 14S-BB6-3
9			40164045			FEED DOG	1				FOR 16S-DE4-3
10			40164055			NEEDLE CLAMP	1				FOR 14S-BE6-3
11			40164058			HAND WHEEL(30P)	1				FOR 14S-BE6-3
12			40164056			THREAD TAKE-UP LEVER	1				FOR 14S-BE6-3
13			40164021			PRESSER FOOT ASM.	1				FOR 14S-BE6-3
14		*	40164026			REAR PRESSER FOOT	1				FOR 14S-BE6-3
15		*	40164027			PRESSER FOOT HINGE	1				FOR 14S-BE6-3
16		*	70000735			FINGER GUARD	1				FOR 14S-BE6-3
17		*	70000500			E_SCREW	1				FOR 14S-BE6-3
18		*	70000496			E_SCREW	1				FOR 14S-BE6-3
19		*	70000505			E_SCREW	1				FOR 14S-BE6-3
20		*	70000538			E_SCREW	1				FOR 14S-BE6-3
21		*	40164028			PRESSER FOOT ARM SPRIN	1				FOR 14S-BE6-3
22		*	40164024			STITCH TONGUE	1				FOR 14S-BE6-3
23		*	70000558			E_SCREW	1				FOR 14S-BE6-3
24		*	40164053			PRESSER FOOT 514_30P	1				FOR 14S-BE6-3
25			40164020			PRESSER FOOT ASM.	1				FOR 14S-BB6-3
26		*	40164023			STITCH TONGUE	1				FOR 14S-BB6-3
27			40164029			PRESSER FOOT ASM.	1				FOR 16S-DE4-3
28		*	40164032			STITCH TONGUE	1				FOR 16S-DE4-3
29		*	40164039			HINGE SCREW	1				FOR 16S-DE4-3
30		*	40164037			SPRING	1				FOR 16S-DE4-3
31		*	70000505			E_SCREW	1				FOR 16S-DE4-3
32		*	70000538			E_SCREW	1				FOR 16S-DE4-3
33		*	40164034			FINGER GUARD	1				FOR 16S-DE4-3
34		*	40159855			E_SCREW	1				FOR 16S-DE4-3
35		*	40164036			SPRING	1				FOR 16S-DE4-3
36		*	40164038			PRESSER FOOT HINGE	1				FOR 16S-DE4-3
37		*	70000500			E_SCREW	1				FOR 16S-DE4-3
38		*	40164033			PRESSER FOOT ARM SPRIN	1				FOR 16S-DE4-3
39		*	40164035			PRESSER FOOT	1				FOR 16S-DE4-3
40		*	40164043			NUT	1				FOR 16S-DE4-3
41		*	40164042			PIN	1				FOR 16S-DE4-3

AE Sewing Machines

MO-6800S GAUGE TABLE

				
MODEL	THROAT PLATE	FEED DOG	FEED DOG	FEED DOG
MO-6804S-0E4-30H	401-59827	401-59820	700-00782	401-59836
MO-6804S-0A4-150	401-59825	401-59820	700-00784	401-59836
MO-6814S-BD6-30H	401-59828	401-59822	700-00782	401-59837
MO-6814S-BE6-40H	401-59829	401-59822	700-00782	401-59837
MO-6814S-BD6-24H/G44/Q143	401-59828	401-59822	700-00782	401-59837
MO-6814S-BE6-24H/G44/Q143	401-59829	401-59822	700-00782	401-59837
MO-6814S-BE6-44H/G44/Q143	401-59829	401-59822	700-00782	401-59837
MO-6816S-DE6-30H	401-59830	401-59821	700-00782	401-59838
MO-6816S-FF6-30H	401-59831	401-59821	700-00782	401-59839
MO-6816S-FF6-50H	401-59834	401-59821	700-00782	401-59839
MO-6816S-FH6-50H	401-59835	401-59821	700-00782	401-59839
MO-6843S-1D6-40H	401-59832	401-59821	700-00782	401-59839
MO-6843S-2D6-40H	401-59833	401-59821	700-00782	401-59839
MO-6845S-FF6-360-N075	401-59826	401-59823	401-59824	401-59840
MO-6814S-BE6-30P	401-64048	401-64050	401-64051	401-64044
MO-6814S-BB6-30P	401-64047	401-64050	401-64051	401-64046
MO-6816S-DE4-30P	401-64049	401-64052	401-64051	401-64045

				
MODEL	PRESSER FOOT	LOOPER	NEEDLE CLAMP	NEEDLE
MO-6804S-0E4-30H	401-59844	700-00798	700-00801	DCX27#11
MO-6804S-0A4-150	401-59842	700-00798	700-00801	DCX27#8
MO-6814S-BD6-30H	401-59843	700-00238	700-00802	DCX27#11*2
MO-6814S-BE6-40H	401-59843	700-00798	700-00802	DCX27#11*2
MO-6814S-BD6-24H/G44/Q143	401-59817	700-00238	700-00802	DCX27#9*2
MO-6814S-BE6-24H/G44/Q143	401-59817	700-00238	700-00802	DCX27#9*2
MO-6814S-BE6-44H/G44/Q143	401-59817	700-00799	700-00802	DCX27#14*2
MO-6816S-DE6-30H	401-59850	700-00238	700-00803	DCX27#11*2
MO-6816S-FF6-30H	401-59849	700-00238	700-00804	DCX27#11*2
MO-6816S-FF6-50H	401-59849	700-00799	700-00804	DCX27#16*2
MO-6816S-FH6-50H	401-59849	700-00799	700-00804	DCX27#16*2
MO-6843S-1D6-40H	401-59847	700-00238	700-00805	DCX27#11*3
MO-6843S-2D6-40H	401-59848	700-00238	700-00806	DCX27#11*3
MO-6845S-FF6-360-N075	401-59845		401-59841	DCX27#14*2
MO-6814S-BE6-30P	401-64021	700-00238	401-64055	DCX27#11*2
MO-6814S-BB6-30P	401-64020	700-00238	401-64055	DCX27#11*2
MO-6816S-DE4-30P	401-64029	700-00238	700-00803	DCX27#11*2

MO-6800S GAUGE TABLE

No.	C-ons	Le-vel	Parts No.	Replacement	Supply Code	Parts name	Qty	R-ep. Q-TY	Status	Spec	Remarks
2-02	28										
2-02	29										

NUMERICAL INDEX OF PARTS

PART NO	PAGE	REF NO.	PART NO	PAGE	REF NO.	PART NO	PAGE	REF NO.
*****	2	6	40159582	6	16	40159647	14	16
*****	6	25	40159583	6	17	40159648	14	18
*****	14	42	40159584	6	21	40159649	16	64
*****	16	62	40159585	6	26	40159650	14	6
*****	18	56	40159586	6	32	40159651	14	17
*****	30	50	40159587	6	33	40159652	14	48
*****	34	57	40159589	6	42	40159653	14	54
*****	36	70	40159590	6	30	40159654	14	55
40022255	8	57	40159591	6	38	40159655	14	56
40159531	2	23	40159592	6	39	40159656	16	100
40159532	2	24	40159593	6	27	40159657	16	104
40159533	2	25	40159601	8	23	40159658	12	32
40159534	2	3	40159602	8	22	40159659	8	49
40159537	2	26	40159603	8	28	40159660	8	48
40159538	2	27	40159604	8	3	40159665	20	74
40159539	2	28	40159605	8	4	40159666	20	70
40159540	2	29	40159606	8	1	40159667	20	79
40159551	4	31	40159607	8	2	40159668	20	78
40159552	4	18	40159608	8	12	40159669	20	77
40159553	4	19	40159615	12	1	40159670	18	57
40159554	4	20	40159617	12	8	40159671	18	29
40159555	4	9	40159618	12	7	40159672	18	30
40159556	4	8	40159619	12	21	40159673	18	36
40159557	4	1	40159620	12	30	40159674	18	34
40159558	4	13	40159623	12	36	40159675	18	24
40159559	4	14	40159624	16	103	40159676	20	72
40159560	4	15	40159625	16	65	40159676	30	33
40159561	4	17	40159626	14	60	40159677	20	73
40159562	4	6	40159627	16	74	40159678	18	10
40159563	4	7	40159628	14	58	40159679	18	37
40159564	4	10	40159629	14	27	40159680	18	38
40159565	4	11	40159629	28	38	40159681	18	25
40159571	6	1	40159630	14	53	40159681	20	80
40159572	6	4	40159631	16	75	40159682	18	26
40159573	6	2	40159632	16	109	40159682	20	81
40159574	6	8	40159633	16	83	40159683	20	61
40159574	60	2	40159634	16	110	40159684	18	8
40159575	6	7	40159636	16	112	40159684	22	22
40159576	6	6	40159640	16	77	40159686	18	1
40159576	60	11	40159641	16	87	40159687	18	2
40159577	6	5	40159642	16	99	40159689	22	17
40159578	6	13	40159643	16	107	40159690	22	35
40159579	6	11	40159644	16	76	40159692	22	1
40159580	6	18	40159645	14	1	40159693	22	16
40159581	6	19	40159646	14	10	40159694	22	2

NUMERICAL INDEX OF PARTS

PART NO	PAGE	REF NO.	PART NO	PAGE	REF NO.	PART NO	PAGE	REF NO.
40159700	28	25	40159771	42	7	40164029	62	27
40159701	28	27	40159772	42	1	40164032	62	28
40159702	28	16	40159773	42	12	40164033	62	38
40159703	28	17	40159774	42	9	40164034	62	33
40159703	34	27	40159775	42	2	40164035	62	39
40159704	28	18	40159776	42	8	40164036	62	35
40159704	34	30	40159777	42	11	40164037	62	30
40159705	28	19	40159778	42	10	40164038	62	36
40159706	28	20	40159779	42	13	40164039	62	29
40159707	28	1	40159780	52	10	40164042	62	41
40159709	28	32	40159781	52	11	40164043	62	40
40159715	20	83	40159785	56	2	40164044	62	7
40159715	30	35	40159786	56	1	40164045	62	9
40159716	30	15	40159787	56	16	40164046	62	8
40159717	30	13	40159788	56	17	40164047	62	2
40159718	30	56	40159789	56	10	40164048	62	1
40159719	30	57	40159790	56	11	40164049	62	3
40159726	32	26	40159791	56	12	40164050	62	4
40159727	32	19	40159792	56	15	40164051	62	6
40159728	32	18	40159793	56	9	40164052	62	5
40159729	32	16	40159794	56	7	40164053	62	24
40159732	32	17	40159795	56	8	40164055	62	10
40159734	32	10	40159796	56	6	40164056	16	113
40159741	34	3	40159800	58	1	40164056	62	12
40159742	34	4	40159801	58	7	40164057	8	46
40159743	34	7	40159802	58	8	40164058	8	47
40159744	34	5	40159803	58	5	40164058	62	11
40159745	34	1	40159810	60	4	40164059	10	61
40159746	34	2	40159811	60	12	40170670	34	12
40159748	34	31	40159812	60	15	40170846	8	54
40159749	34	26	40159813	60	13	40170847	8	55
40159750	34	33	40159814	60	14	40170848	8	56
40159751	34	42	40159815	60	7	40172525	2	4
40159752	34	38	40159817	60	6	40172527	16	114
40159753	34	10	40159855	62	34	40172528	32	11
40159754	34	35	40164010	8	60	40172529	32	12
40159760	38	8	40164011	8	45	40172530	34	46
40159761	38	26	40164012	8	44	40172531	36	75
40159762	38	23	40164020	62	25	40172535	18	20
40159763	38	39	40164021	62	13	40176583	20	84
40159764	38	32	40164023	62	26	40177859	20	82
40159765	38	53	40164024	62	22	40178003	32	9
40159768	42	4	40164026	62	14	40178005	36	76
40159769	42	5	40164027	62	15	40178006	34	44
40159770	42	6	40164028	62	21	40178007	34	45

NUMERICAL INDEX OF PARTS

PART NO	PAGE	REF NO.	PART NO	PAGE	REF NO.	PART NO	PAGE	REF NO.
40178084	18	6	70000164	14	7	70000188	50	9
40178084	22	19	70000168	14	22	70000189	44	9
40178548	16	82	70000169	14	19	70000189	46	11
40178549	16	106	70000171	14	13	70000189	48	11
40178550	16	108	70000172	26	2	70000189	50	10
40179483	44	1	70000173	14	3	70000190	44	10
40179484	46	1	70000174	14	11	70000190	46	12
40179485	48	1	70000175	22	10	70000190	48	12
40179486	50	1	70000176	34	50	70000190	50	11
40179596	18	3	70000177	48	37	70000191	44	11
40179596	22	18	70000177	50	40	70000191	46	35
40179597	18	5	70000178	44	35	70000191	48	35
40179597	22	21	70000178	46	37	70000191	50	38
70000098	60	16	70000179	44	2	70000192	44	12
70000130	8	14	70000179	46	2	70000192	46	13
70000131	28	56	70000179	48	2	70000192	48	13
70000131	34	32	70000179	50	2	70000192	50	12
70000132	30	58	70000180	44	3	70000193	18	32
70000133	30	14	70000180	46	3	70000194	18	51
70000134	12	18	70000180	48	3	70000195	18	53
70000135	30	23	70000180	50	3	70000196	20	59
70000136	6	12	70000181	44	4	70000197	18	45
70000137	28	53	70000181	46	4	70000198	18	46
70000138	30	20	70000181	48	4	70000199	22	15
70000139	24	2	70000181	50	4	70000200	18	52
70000140	28	2	70000182	44	5	70000201	18	50
70000141	12	35	70000182	46	5	70000202	18	44
70000141	30	25	70000182	48	5	70000203	16	84
70000141	34	16	70000182	50	35	70000211	16	111
70000142	34	11	70000183	44	6	70000213	16	85
70000143	8	34	70000183	46	6	70000215	44	13
70000144	38	15	70000183	48	6	70000215	46	34
70000145	8	32	70000183	50	34	70000215	48	34
70000146	38	33	70000184	46	7	70000215	50	33
70000147	30	19	70000184	48	7	70000216	44	14
70000148	38	52	70000185	46	8	70000216	46	33
70000149	8	35	70000185	48	8	70000216	48	33
70000151	30	53	70000186	44	7	70000216	50	32
70000152	30	54	70000186	46	9	70000217	44	15
70000157	38	24	70000186	48	9	70000217	46	32
70000158	38	25	70000186	50	7	70000217	48	32
70000159	38	28	70000187	50	8	70000217	50	31
70000160	38	27	70000188	44	8	70000218	44	16
70000161	6	14	70000188	46	10	70000218	46	28
70000162	28	33	70000188	48	10	70000218	48	28

NUMERICAL INDEX OF PARTS

PART NO	PAGE	REF NO.	PART NO	PAGE	REF NO.	PART NO	PAGE	REF NO.
70000218	50	27	70000283	28	55	70000346	30	46
70000219	44	17	70000284	28	52	70000347	32	14
70000219	46	22	70000286	28	54	70000348	52	12
70000219	48	22	70000288	28	43	70000349	28	5
70000219	50	21	70000289	28	42	70000349	36	78
70000222	6	15	70000291	34	39	70000350	18	55
70000229	32	13	70000292	34	20	70000351	24	22
70000230	32	1	70000293	34	17	70000352	52	15
70000235	32	2	70000294	34	22	70000353	28	15
70000236	32	8	70000295	34	23	70000354	44	18
70000237	32	4	70000297	34	47	70000354	46	14
70000239	18	22	70000301	34	41	70000354	48	14
70000240	18	21	70000302	34	40	70000354	50	13
70000241	18	35	70000303	34	51	70000355	34	34
70000243	18	28	70000304	34	55	70000356	30	29
70000246	20	63	70000309	34	13	70000357	24	5
70000247	20	62	70000312	38	17	70000358	28	57
70000248	18	39	70000314	8	41	70000359	26	5
70000251	18	16	70000317	24	36	70000359	60	10
70000253	18	11	70000317	30	45	70000361	30	10
70000254	18	9	70000318	38	41	70000362	12	17
70000257	8	39	70000322	38	49	70000363	2	1
70000258	38	46	70000322	40	62	70000365	2	2
70000259	8	38	70000323	38	10	70000368	4	2
70000260	38	45	70000323	40	66	70000369	28	23
70000261	38	29	70000324	38	60	70000370	28	22
70000262	38	30	70000325	38	11	70000372	28	6
70000263	52	2	70000326	38	21	70000373	28	7
70000263	58	3	70000327	38	1	70000374	30	4
70000264	52	1	70000328	38	19	70000375	30	5
70000264	58	2	70000329	38	9	70000379	28	8
70000265	52	6	70000332	52	7	70000380	22	6
70000266	12	11	70000334	4	5	70000380	24	24
70000267	12	10	70000335	16	70	70000381	38	35
70000267	38	40	70000336	16	67	70000382	38	36
70000268	18	42	70000337	16	66	70000383	26	22
70000269	32	3	70000338	52	5	70000384	26	9
70000270	22	29	70000339	52	8	70000385	26	25
70000270	24	28	70000340	52	4	70000386	26	24
70000273	38	34	70000341	8	26	70000387	26	6
70000275	28	29	70000342	20	64	70000388	26	16
70000276	28	28	70000343	22	33	70000389	26	17
70000277	28	34	70000344	28	3	70000390	26	18
70000280	30	11	70000345	28	4	70000391	26	11
70000282	28	40	70000346	24	37	70000392	26	12

NUMERICAL INDEX OF PARTS

PART NO	PAGE	REF NO.	PART NO	PAGE	REF NO.	PART NO	PAGE	REF NO.
70000393	26	13	70000449	8	43	70000485	52	18
70000394	26	14	70000450	28	9	70000490	4	4
70000395	26	15	70000452	4	25	70000493	4	28
70000396	26	3	70000452	26	28	70000494	4	27
70000397	26	1	70000452	60	9	70000495	28	10
70000398	26	4	70000453	4	24	70000496	36	65
70000399	32	30	70000453	26	27	70000496	62	18
70000399	56	20	70000454	44	34	70000497	16	72
70000400	32	31	70000454	46	30	70000498	14	34
70000401	32	38	70000454	48	30	70000498	18	15
70000402	32	28	70000454	50	29	70000498	26	26
70000403	32	33	70000455	44	20	70000498	56	19
70000404	4	22	70000455	46	16	70000499	36	66
70000405	22	12	70000455	48	16	70000500	34	56
70000406	22	4	70000455	50	15	70000500	36	72
70000407	22	3	70000456	44	21	70000500	62	37
70000409	22	32	70000456	46	23	70000501	18	54
70000410	22	31	70000456	48	23	70000502	28	44
70000410	24	34	70000456	50	22	70000503	12	33
70000410	30	32	70000458	30	30	70000503	28	39
70000413	22	25	70000458	34	29	70000504	18	58
70000414	22	37	70000460	8	13	70000505	14	57
70000415	22	24	70000461	24	16	70000505	22	11
70000416	22	36	70000462	24	18	70000505	34	60
70000419	36	62	70000463	24	6	70000505	36	71
70000420	36	63	70000464	24	7	70000505	62	31
70000422	30	39	70000465	24	15	70000506	22	14
70000423	30	40	70000466	24	17	70000508	8	21
70000428	38	20	70000467	24	8	70000508	24	27
70000429	30	41	70000469	14	44	70000508	30	55
70000430	8	31	70000470	24	31	70000509	30	51
70000431	8	30	70000471	24	30	70000510	32	15
70000432	12	14	70000472	24	35	70000511	22	9
70000433	30	36	70000473	24	26	70000512	28	13
70000434	32	6	70000474	24	23	70000513	14	20
70000435	30	16	70000475	24	20	70000513	16	86
70000436	32	5	70000476	24	21	70000513	26	10
70000437	12	13	70000477	24	33	70000514	24	38
70000438	52	3	70000478	24	9	70000514	30	47
70000438	58	4	70000479	24	1	70000515	2	21
70000443	2	5	70000480	36	64	70000515	4	29
70000444	54	1	70000481	6	28	70000515	18	43
70000445	12	34	70000482	52	16	70000515	32	39
70000446	30	12	70000483	52	17	70000515	34	21
70000448	26	23	70000484	52	14	70000516	4	21

NUMERICAL INDEX OF PARTS

PART NO	PAGE	REF NO.	PART NO	PAGE	REF NO.	PART NO	PAGE	REF NO.
70000516	16	61	70000538	34	59	70000573	6	40
70000517	20	66	70000538	36	73	70000574	4	3
70000517	22	27	70000538	62	32	70000575	38	59
70000517	32	32	70000540	52	19	70000576	26	8
70000518	4	23	70000541	52	20	70000577	4	16
70000518	26	30	70000542	28	11	70000577	6	35
70000518	38	38	70000543	2	10	70000578	12	9
70000518	42	17	70000544	2	11	70000578	32	20
70000519	26	7	70000545	18	7	70000579	44	23
70000520	6	22	70000545	22	23	70000579	46	18
70000520	38	18	70000546	8	51	70000579	48	18
70000521	8	33	70000547	44	22	70000579	50	17
70000521	18	49	70000547	46	17	70000580	44	31
70000521	32	35	70000547	48	17	70000580	46	25
70000521	38	31	70000547	50	36	70000580	48	25
70000522	2	8	70000548	30	21	70000580	50	24
70000522	8	40	70000549	14	9	70000581	44	25
70000522	12	15	70000549	60	5	70000581	46	20
70000522	20	76	70000550	2	12	70000581	48	20
70000522	22	38	70000550	14	43	70000581	50	37
70000522	30	37	70000550	16	73	70000582	28	50
70000522	32	27	70000552	28	26	70000582	38	47
70000522	34	53	70000554	8	16	70000583	28	47
70000522	40	67	70000555	6	24	70000584	34	28
70000523	28	21	70000555	14	46	70000586	2	13
70000524	32	37	70000557	26	21	70000587	20	68
70000525	22	13	70000558	30	6	70000588	12	4
70000525	24	29	70000558	62	23	70000589	44	26
70000526	16	71	70000559	14	14	70000589	46	36
70000526	42	15	70000560	18	33	70000589	48	36
70000527	40	65	70000561	24	11	70000589	50	39
70000528	4	12	70000561	36	77	70000590	18	13
70000528	34	37	70000562	8	17	70000590	22	39
70000529	2	22	70000563	4	26	70000590	24	32
70000530	30	52	70000563	6	20	70000590	28	24
70000531	22	7	70000563	26	29	70000590	30	28
70000531	24	25	70000564	8	6	70000590	32	25
70000532	38	13	70000565	8	7	70000592	34	24
70000532	40	68	70000566	34	48	70000593	12	24
70000533	38	37	70000567	14	35	70000593	18	23
70000534	38	5	70000569	6	37	70000598	14	28
70000535	8	10	70000570	6	36	70000600	28	58
70000536	8	50	70000571	26	19	70000601	28	12
70000537	36	67	70000572	14	26	70000602	28	35
70000538	18	31	70000572	30	48	70000603	32	36

NUMERICAL INDEX OF PARTS

PART NO	PAGE	REF NO.	PART NO	PAGE	REF NO.	PART NO	PAGE	REF NO.
70000604	34	25	70000657	40	64	70000711	38	58
70000605	34	43	70000658	38	22	70000712	38	55
70000606	36	68	70000658	42	14	70000713	38	48
70000608	34	9	70000659	2	14	70000714	38	54
70000609	36	69	70000660	6	29	70000715	38	44
70000610	26	31	70000661	18	17	70000716	38	43
70000611	44	27	70000662	28	36	70000717	38	56
70000611	46	27	70000664	34	14	70000720	32	23
70000611	48	27	70000665	28	41	70000721	32	21
70000611	50	26	70000666	28	31	70000728	12	27
70000612	8	52	70000667	22	5	70000728	18	18
70000613	20	65	70000669	34	15	70000729	12	28
70000614	22	34	70000670	2	15	70000729	18	19
70000615	44	28	70000671	2	16	70000731	30	38
70000615	46	31	70000672	2	17	70000732	30	44
70000615	48	31	70000673	34	49	70000733	30	24
70000615	50	30	70000674	38	16	70000734	30	22
70000616	24	12	70000675	38	14	70000735	34	58
70000617	52	13	70000676	12	31	70000735	36	74
70000618	44	29	70000677	12	12	70000735	62	16
70000618	46	21	70000678	18	27	70000736	6	10
70000618	48	21	70000679	20	69	70000737	8	11
70000618	50	20	70000681	30	8	70000738	28	48
70000619	8	8	70000682	30	27	70000739	28	49
70000620	8	9	70000683	30	3	70000740	28	46
70000626	14	29	70000684	30	7	70000741	28	45
70000627	14	30	70000685	30	26	70000744	6	34
70000628	14	37	70000686	30	42	70000745	6	23
70000629	14	23	70000688	30	31	70000748	18	41
70000630	16	69	70000689	30	43	70000749	18	40
70000631	38	3	70000693	38	6	70000750	8	29
70000632	12	23	70000694	8	18	70000751	22	8
70000633	12	22	70000694	28	51	70000752	22	30
70000635	12	20	70000695	8	37	70000753	2	18
70000636	12	26	70000696	8	42	70000754	2	19
70000637	12	16	70000697	24	13	70000755	4	30
70000638	12	25	70000698	28	37	70000757	56	3
70000639	12	19	70000699	8	36	70000758	56	14
70000640	12	3	70000700	8	20	70000759	56	4
70000643	12	2	70000701	8	15	70000760	56	5
70000646	12	5	70000703	24	14	70000761	56	18
70000652	14	25	70000704	14	59	70000763	56	13
70000653	14	24	70000706	54	2	70000767	58	6
70000654	12	29	70000707	52	9	70000807	20	71
70000657	38	42	70000710	38	57	70000812	20	60

NUMERICAL INDEX OF PARTS

PART NO	PAGE	REF NO.
70000813	32	34
70000820	6	41
70000822	14	5
70000827	14	45
70000828	14	38
70000829	14	39
70000831	14	36
70000832	14	4
70000833	14	12
70000834	18	12
70000841	32	24
70000842	32	22
70000845	32	29
70000847	14	50
70000848	14	51
70000849	14	49
70000850	16	63
70000854	52	21
70000884	54	3
70000885	14	52
70000887	14	47
70000908	6	9
70000908	60	8
70000928	8	53
70001060	42	16
MDC270B0800	56	22
MDC270B0900	56	23
MDC270B1100	56	21
MDC270B1400	56	24
MDC270B1600	56	25
SS6111010TP	8	59
SS6120940SP	8	58

AE Sewing Machines